

ViTAM-124PG(H)

23.8" IP66 / IP69K Stainless Steel Display

Industrial Panel PC

HMI Controller

Industrial Display Monitor

Box PC



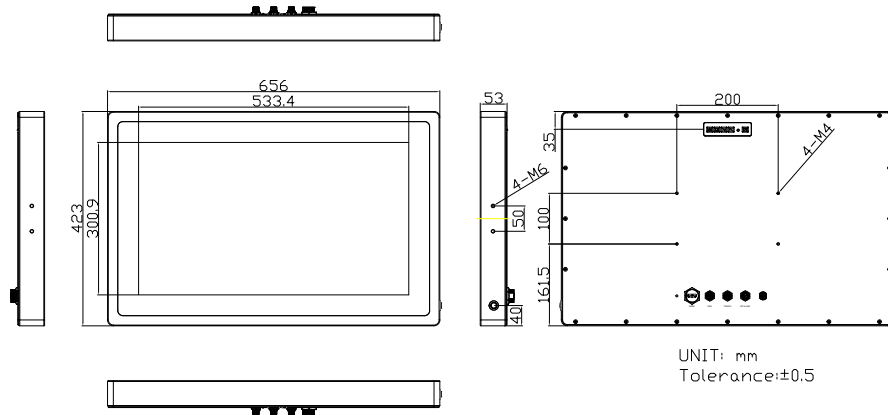
Features

- 23.8" New Generation Stainless Steel Display
- True Flat Front Bezel Design and Grade 304 Stainless Steel Enclosure (Grade 316 for Option)
- IP66/IP69K Rated with M12 (W.F.) Connectors
- Support Resistive Touch, Projected Capacitive Touch, and Glass
- Touch on/off Button on the Side Edge for Hygienic Cleaning
- Support Ergonomic Versatile Mounting: Yoke Mounting / Space-saving VESA 200 x 100 mm Mounting

Specifications

IO Port		
VGA	1 x M12 12-pin for VGA with waterproof cover and chain	
HDMI	1 x W.F. HDMI with waterproof cap	
USB	1 x M12 USB 2.0 with waterproof cover and chain	
Speaker	1 x 2W IP65 speaker (option)	
OSD Control Membrane	OSD on the rear side	
Power Connector	1 x M12 3-pin for DC power with waterproof cover and chain	
Display		
	Standard	High Brightness Optional
Display Type	23.8" TFT-LCD	23.8" TFT-LCD
Max. Resolution	1920 x 1080	1920 x 1080
Max. Color	16.7M	16.7M
Luminance (cd/m ²)	250	1000
View Angle	178(H) / 178(V)	178(H) / 178(V)
Contrast	3000:1	3000:1
Backlight Lifetime	30,000 hrs	30,000 hrs
Touch Screen		
Type	Projected Capacitive Touch (for P model) Glass (for G model)	
Interface	USB	
Light Transmission(%)	Projected Capacitive : 90%	
Power		
Power Input	DC 9~36V	
Power Consumption	ViTAM-124P: Max 32W ViTAM-124PH: Max 45W	
Mechanical		
Construction	304 Stainless steel chassis(default), 316 Stainless steel chassis(optional)	
Mounting	VESA Mount 200 x 100, Yoke mount (option)	
IP Rating	Total IP66/IP69K	
Dimensions	656 x 423 x 53 mm	
Net Weight	12.6 kg	
Environmental		
Operating Temperature	0~50°C	
Storage Temperature	-30~70°C	
Humidity	10 to 95% @ 40°C, non- condensing	
Certificate	CE/FCC Class A	

Dimensions



Ordering Information	
ViTAM-124P	23.8" FHD IP66/IP69K stainless steel display, VGA/HDMI input, OSD on the rear side, projected capacitive touch, 9~36V DC power input with Adapter
ViTAM-124G	23.8" FHD IP66/IP69K stainless steel display, VGA/HDMI input, OSD on the rear side, protection glass, 9~36V DC power input with Adapter
ViTAM-124PH	23.8" FHD IP66/IP69K stainless steel display, VGA/HDMI input, OSD on the rear side, projected capacitive touch, 9~36V DC power input with Adapter, 1,000 nits LCD
ViTAM-124GH	23.8" FHD IP66/IP69K stainless steel display, VGA/HDMI input, OSD on the rear side, protection glass, 9~36V DC power input with Adapter, 1,000 nits LCD

Assured Systems

Assured Systems is a leading technology company with over 1,500 regular clients in 80 countries, deploying over 85,000 systems to a diverse customer base in 12 years of business. We offer high-quality and innovative rugged computing, display, networking and data collection solutions to the embedded, industrial, and digital-out-of-home market sectors.

US

sales@assured-systems.com

Sales: +1 347 719 4508

Support: +1 347 719 4508

1309 Coffeen Ave
Ste 1200
Sheridan
WY 82801
USA

EMEA

sales@assured-systems.com

Sales: +44 (0)1785 879 050

Support: +44 (0)1785 879 050

Unit A5 Douglas Park
Stone Business Park
Stone
ST15 0YJ
United Kingdom

VAT Number: 120 9546 28

Business Registration Number: 07699660