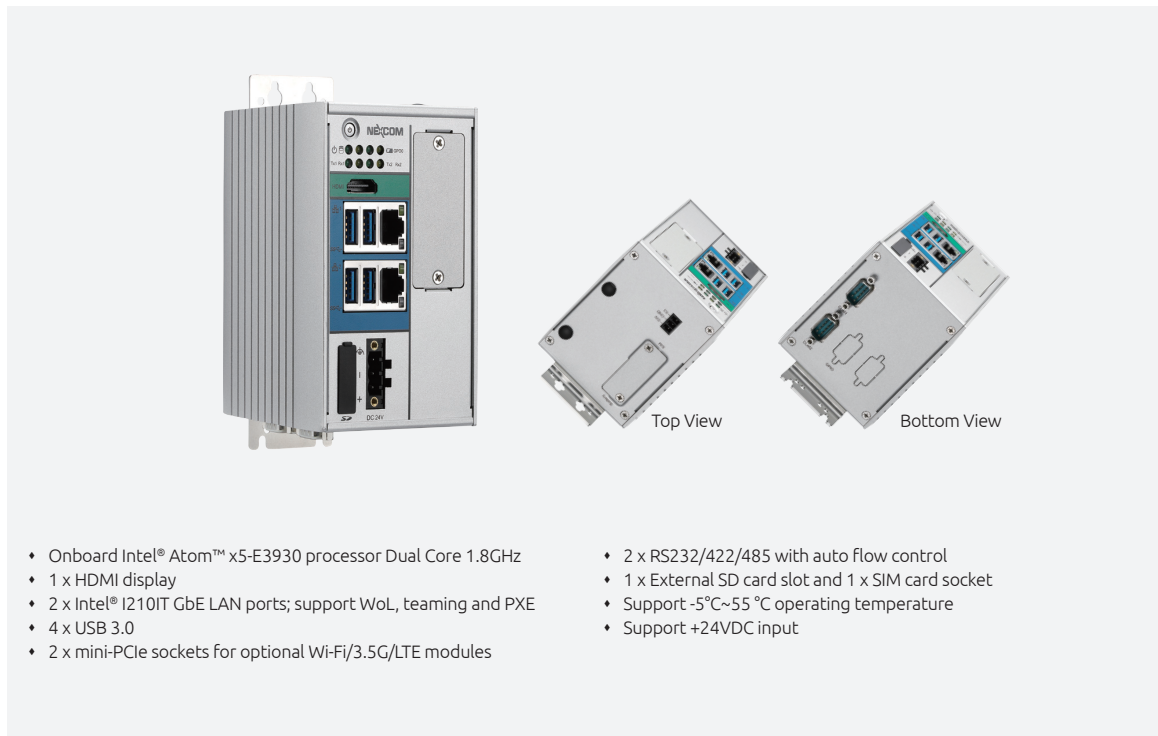


# NIFE 105W

Dual Core Intel® Atom™ x5-E3930 Processor Automation System



- Onboard Intel® Atom™ x5-E3930 processor Dual Core 1.8GHz
- 1 x HDMI display
- 2 x Intel® I210IT GbE LAN ports; support WoL, teaming and PXE
- 4 x USB 3.0
- 2 x mini-PCIe sockets for optional Wi-Fi/3.5G/LTE modules

- 2 x RS232/422/485 with auto flow control
- 1 x External SD card slot and 1 x SIM card socket
- Support -5°C~55 °C operating temperature
- Support +24VDC input

## Product Overview

NEXCOM's NIFE product line comes in a range of form factors and processor configurations including Intel Atom and Intel Core processors to suit different application requirements. For NIFE 105, it positions itself at the entry level of fieldbus controller, and suitable for M2M communication gateway and data server applications. Boosted by Intel® latest Apollo Lake-I processors and the palm size form-factor, NIFE 105 is the most suitable entry level automation system which satisfying the needs of steady system performance and installation in gateway field or a small controller cabinet.

NIFE 105 meets PLCopen® specifications and allows easy control programming via Softlogic tool kit. Using libraries of reusable logic and motion functionality, control schemes can be developed with reduced programming efforts for fast deployment of SoftPLC controller and M2M gateway.

## Specifications

### CPU Support

- Onboard Intel® Atom™ x5-E3930 processor Dual Core 1.8GHz

### Main Memory

- Onboard type 4GB DDR3L RAM
  - Un-buffered and non-ECC

### Display Output

- 1 x HDMI display

### I/O Interface-Front

- 2 x Intel® I210IT GbE LAN ports; support WoL, teaming and PXE
- 4 x USB 3.0 (900mA)
- 1 x External SD card slot (data storage only)
- 1 x FBI expansion slot
- 1 x Power/1x HDD access LEDs
- 1 x Battery low/1x GP0 programming LED
- 2 x Tx/Rx LEDs
- 1 x ATX power on/off switch

### I/O Interface-Top

- 1 x Remote switch/1 x S3
- 1 x SIM card slot
- 1 x RTC battery socket

### I/O Interface-Bottom

- 2 x DB9, support RS232/422/485 with Auto Flow Control
- 1 x Optional DB9, support 4 x GPI and 4 x GPO

### Storage Device

- Onboard 16GB eMMC
- Optional mSATA module

### Power Requirement

- Power input: typical +24VDC ±20%
- 1 x Optional 24V, 60W power adapter

### Dimensions

- 78.2mm (W) x 100mm (D) x 120mm (H)

### Construction

- Aluminum and Metal Chassis with front access design

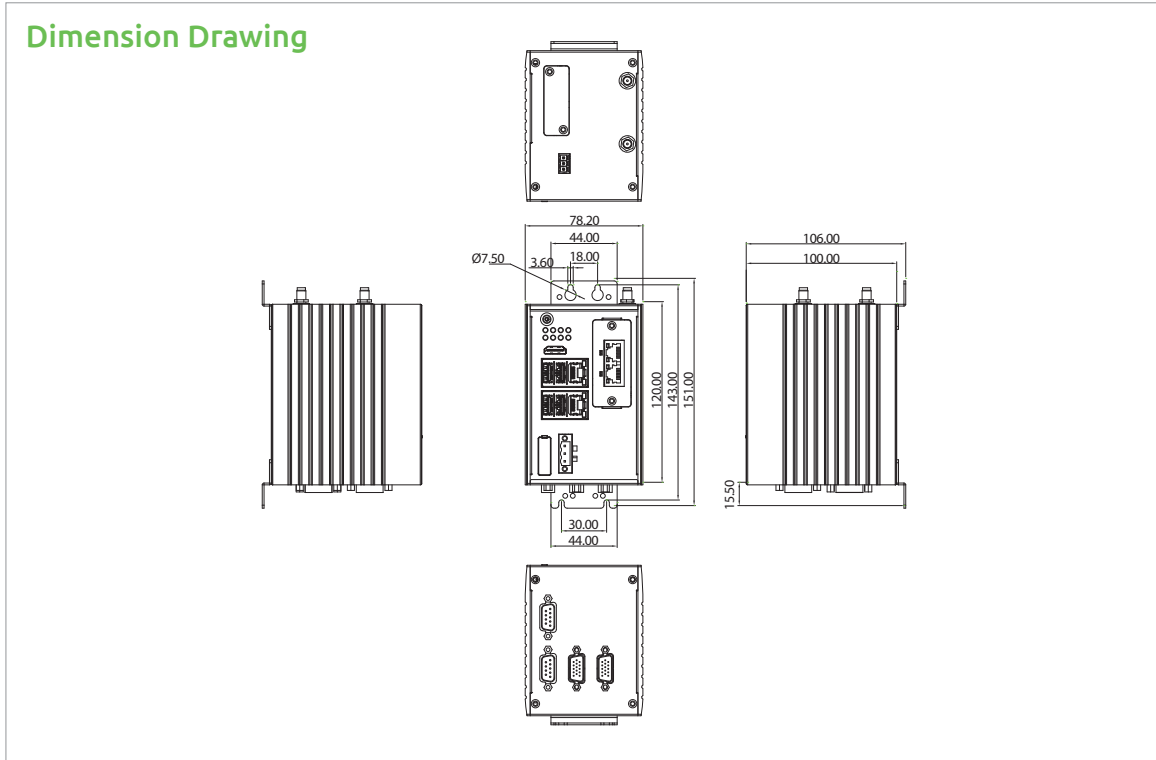
### Environment

- Operating temperature:
  - Ambient with air flow: -5°C to 55°C
  - (according to IEC60068-2-1, IEC60068-2-2, IEC60068-2-14)
- Storage temperature: -20°C to 75°C
- Relative humidity: 10% to 93% (non-condensing)

www.nexcom.com



### Dimension Drawing



- Shock protection:
  - mSATA/eMMC: 50G, half sine, 11ms, IEC60068-27
- Vibration protection w/ mSATA or eMMC condition:
  - Random: 2Grms @ 5~500 Hz, IEC60068-2-64
  - Sinusoidal: 2Grms @ 5~500 Hz, IEC60068-2-6

#### Certifications

- CE approval
  - EN61000-6-2
  - EN61000-6-4
- FCC Class A

#### Support OS

- Microsoft Windows 10 Enterprise 64-bit

### Ordering Information

- NIFE 105W System (P/N: 10J70010501X0)
- 24V, 60W AC/DC power adapter w/o power cord (P/N: 7400060033X00)

## Assured Systems

Assured Systems is a leading technology company with over 1,500 regular clients in 80 countries, deploying over 85,000 systems to a diverse customer base in 12 years of business. We offer high-quality and innovative rugged computing, display, networking and data collection solutions to the embedded, industrial, and digital-out-of-home market sectors.

### US

[sales@assured-systems.com](mailto:sales@assured-systems.com)

Sales: +1 347 719 4508  
Support: +1 347 719 4508

1309 Coffeen Ave  
Ste 1200  
Sheridan  
WY 82801  
USA

### EMEA

[sales@assured-systems.com](mailto:sales@assured-systems.com)

Sales: +44 (0)1785 879 050  
Support: +44 (0)1785 879 050

Unit A5 Douglas Park  
Stone Business Park  
Stone  
ST15 0YJ  
United Kingdom

VAT Number: 120 9546 28  
Business Registration Number: 07699660