

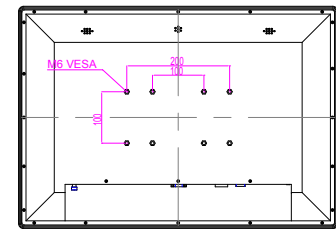
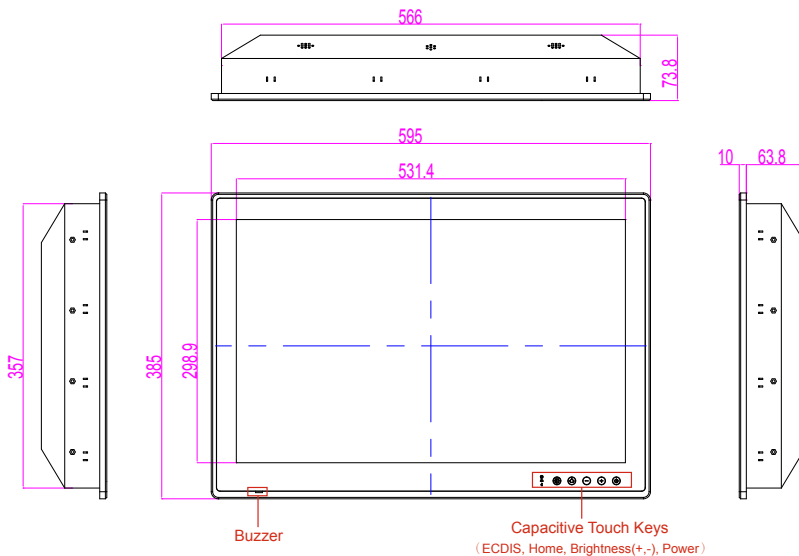
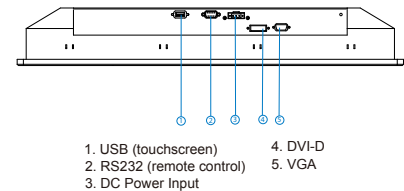


24" Flat P-CAP Marine Display

Model#: W24L100-MRA1FP

Features :

- 24" 1920 x 1080 resolution with projective capacitive multi-touch screen
- Edge-to-edge narrow bezel design and fanless cooling system
- Color calibrated for ECDIS compliance
- Capacitive touch keys for quick function access and display control (Support ECDIS DAY, DUSK, and NIGHT mode switching)
- Compliant with marine standards (DNV2.4, IEC 60945 4th, IACS-E10)



* Note: this is a simplified drawing and some components are not marked in detail. *Please contact our sales representative if you need further product information.

Display Specifications :

Resolution	: 1920 x 1080
Pixel Pitch	: 0.276 (H) x 0.276 (V) mm
Contrast Ratio	: 5000:1(typ.)
Brightness	: 350 cd/m ² (typ.)
Viewable Angle	: 89°/89°/89°/89° (typ.) (Up/Down/Left/Right)
Active Display Area	: 531.36 (H) x 298.89 (V) mm
Max Colors	: 16.7 M colors, 8 bits/color
Touch Screen	: Projective Capacitive Multi-touch (Optional AR Protection Glass)
Buzzer	: 75 dB~80 dB, 2300 Hz, 1m

Input / Output Connectors

RGB Signal IN	: D-SUB 15pin connector (female)
DVI-D Signal IN	: DVI-D 24pin connector (female)
DC Power IN	: 3pin Terminal block (Phoenix type)
Remote control via RS232	: D-SUB 9pin connector (female)
Touch Signal OUT	: USB type A connector (female)

Power Specifications :

Power Input	: 24V DC-in with Isolation (9~36V acceptable)
-------------	---

User Controls :

OSD control via programmable capacitive touch keys (ECDIS, Home, Brightness(+,-), Power)
Remote control via RS232 serial interface

Mechanical

Mechanical Mounting	: Panel Mount, VESA Mount
Dimension	: 595mm x 385mm x 63.8mm
Panel Mount Cutout	: 572mm x 363mm
Housing	: Anodized Aluminum Bezel
IP Rating	: IP66 (Front Side)

Environmental

Operating Temperature	: -15 to 55 deg.C
Operating Humidity	: 5% to 95% (non condensing)
Anti-Vibration	: 0.7g@DNV2.4 (Class A)
Anti-Shock	: 15G,11ms duration

Certification

DNV 2.4, IEC60945 4th, CE, FCC

Assured Systems

Assured Systems is a leading technology company with over 1,500 regular clients in 80 countries, deploying over 85,000 systems to a diverse customer base in 12 years of business. We offer high-quality and innovative rugged computing, display, networking and data collection solutions to the embedded, industrial, and digital-out-of-home market sectors.

US

sales@assured-systems.com

Sales: +1 347 719 4508
Support: +1 347 719 4508

1309 Coffeen Ave
Ste 1200
Sheridan
WY 82801
USA

EMEA

sales@assured-systems.com

Sales: +44 (0)1785 879 050
Support: +44 (0)1785 879 050

Unit A5 Douglas Park
Stone Business Park
Stone
ST15 0YJ
United Kingdom

VAT Number: 120 9546 28
Business Registration Number: 07699660