



10623 Roselle Street, San Diego, CA 92121 • (858) 550-9559 • Fax (858) 550-7322  
contactus@accessio.com • www.accessio.com

# MODEL P104-COM232-8

## USER MANUAL

FILE: mP104-COM232-8.A1g

### Notice

The information in this document is provided for reference only. ACCES does not assume any liability arising out of the application or use of the information or products described herein. This document may contain or reference information and products protected by copyrights or patents and does not convey any license under the patent rights of ACCES, nor the rights of others.

IBM PC, PC/XT, and PC/AT are registered trademarks of the International Business Machines Corporation.

Printed in USA. Copyright 2003, 2007 by ACCES I/O Products, Inc. 10623 Roselle Street, San Diego, CA 92121. All rights reserved.

### **WARNING!!**

**ALWAYS CONNECT AND DISCONNECT YOUR FIELD CABLING WITH THE COMPUTER POWER OFF. ALWAYS TURN COMPUTER POWER OFF BEFORE INSTALLING A BOARD, CONNECTING AND DISCONNECTING CABLES, OR INSTALLING BOARDS INTO A SYSTEM WITH THE COMPUTER OR FIELD POWER ON MAY CAUSE DAMAGE TO THE I/O BOARD AND WILL VOID ALL WARRANTIES, IMPLIED OR EXPRESSED.**

## Warranty

Prior to shipment, ACCES equipment is thoroughly inspected and tested to applicable specifications. However, should equipment failure occur, ACCES assures its customers that prompt service and support will be available. All equipment originally manufactured by ACCES which is found to be defective will be repaired or replaced subject to the following considerations.

## Terms and Conditions

If a unit is suspected of failure, contact ACCES' Customer Service department. Be prepared to give the unit model number, serial number, and a description of the failure symptom(s). We may suggest some simple tests to confirm the failure. We will assign a Return Material Authorization (RMA) number which must appear on the outer label of the return package. All units/components should be properly packed for handling and returned with freight prepaid to the ACCES designated Service Center, and will be returned to the customer's/user's site freight prepaid and invoiced.

## Coverage

First Three Years: Returned unit/part will be repaired and/or replaced at ACCES option with no charge for labor or parts not excluded by warranty. Warranty commences with equipment shipment.

Following Years: Throughout your equipment's lifetime, ACCES stands ready to provide on-site or in-plant service at reasonable rates similar to those of other manufacturers in the industry.

## Equipment Not Manufactured by ACCES

Equipment provided but not manufactured by ACCES is warranted and will be repaired according to the terms and conditions of the respective equipment manufacturer's warranty.

## General

Under this Warranty, liability of ACCES is limited to replacing, repairing or issuing credit (at ACCES discretion) for any products which are proved to be defective during the warranty period. In no case is ACCES liable for consequential or special damage arriving from use or misuse of our product. The customer is responsible for all charges caused by modifications or additions to ACCES equipment not approved in writing by ACCES or, if in ACCES opinion the equipment has been subjected to abnormal use. "Abnormal use" for purposes of this warranty is defined as any use to which the equipment is exposed other than that use specified or intended as evidenced by purchase or sales representation. Other than the above, no other warranty, expressed or implied, shall apply to any and all such equipment furnished or sold by ACCES.

## Table of Contents

<b>Chapter 1: INTRODUCTION</b> .....	5
<b>Figure 1-1: Block Diagram</b> .....	6
<b>Chapter 2: INSTALLATION</b> .....	7
<b>Figure 2-1: PC/104 Key Information</b> .....	8
<b>Chapter 3: OPTION SELECTION</b> .....	9
<b>Figure 3-1: Option Selection Map</b> .....	9
<b>Chapter 4: ADDRESS SELECTION</b> .....	10
<b>Chapter 5: CONNECTOR PIN ASSIGNMENTS</b> .....	11
<b>Table 5-1: P1 Connector Pin Assignment</b> .....	11
<b>Table 5-2: P2 Connector Pin Assignment</b> .....	12
<b>Chapter 6: SPECIFICATIONS</b> .....	13

## Chapter 1: INTRODUCTION

This communications card interfaces to the CPU through a 33MHz 32bit PCI (Peripheral Component Interconnect, specification revision 2.3) local bus. While it is technically a PC/104-plus card, the ISA bus connector does not connect to any circuit.

- High Performance Octal PCI UART
- 16550 Compatible Register Set
- Up to 460Kb/s Serial Data Rate
- Global Interrupt Source Register
- Data Transfer in Byte, Word, and Double-Word
- 64-Byte Transmit and Receive FIFOs per each of eight UARTs
- Transmit and Receive FIFO Level Counters
- Programmable Transmit and Receive FIFO Trigger Level

This card is an eight channel RS-232 communication instrument. Based on the XR17D158, the card has eight enhanced 16550 UARTs, each with a set of modem signals (CTS, RTS, RI, DTR, DSR CD). A 460Kb/s is guaranteed for all channels with up to 3K Ohm 1000pF loads. All interrupts may be monitored at a 32-bit status register. Each UART has both a 64 byte transmit and a 64 byte receive FIFO.

The typical quiescent current draw from the user's 5V supply is less than 50mA (with P1 and P2 disconnected). If every transmitter line is loaded with 3K Ohm, current draw should still be less than 150mA.

Linux drivers and sample programs are supplied with the card.

The provided Windows drivers are 100% compatible with the normal Microsoft-provided Serial Application Programming Interface. This means every program you've ever used with a standard serial port in Windows will also work with these ports, no problem. In addition, we provide several utility and sample programs to help you write your own code, if you're not using something off-the-shelf.

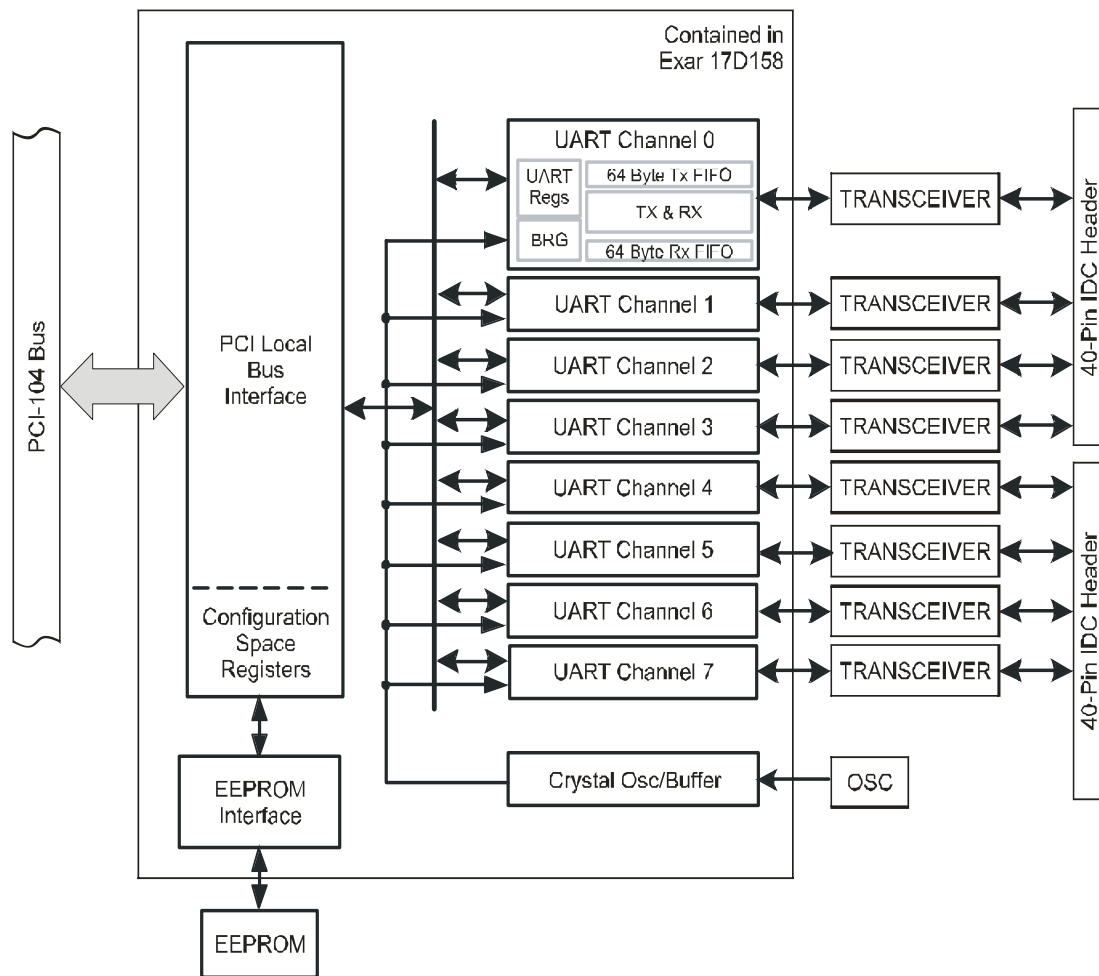


Figure 1-1: Block Diagram

## Chapter 2: INSTALLATION

A printed Quick-Start Guide (QSG) is packed with the board for your convenience. If you've already performed the steps from the QSG, you may find this chapter to be redundant and may skip forward to begin developing your application.

The software provided with this PC/104 Board is on CD and must be installed onto your hard disk prior to use. To do this, perform the following steps as appropriate for your operating system. Substitute the appropriate drive letter for your CD-ROM where you see d: in the examples below.

### CD Installation

The following instructions assume the CD-ROM drive is drive "D". Please substitute the appropriate drive letter for your system as necessary.

#### DOS

1. Place the CD into your CD-ROM drive.
2. Type `D: Enter` to change the active drive to the CD-ROM drive.
3. Type `INSTALL Enter` to run the install program.
4. Follow the on-screen prompts to install the software for this board.

#### WINDOWS

1. Place the CD into your CD-ROM drive.
2. The system should automatically run the install program. If the install program does not run promptly, click START | RUN and type `D:INSTALL`, click OK or press `Enter`.
3. Follow the on-screen prompts to install the software for this board.

#### LINUX

1. Please refer to linux.htm on the CD-ROM for information on installing under linux.

### Installing the Hardware

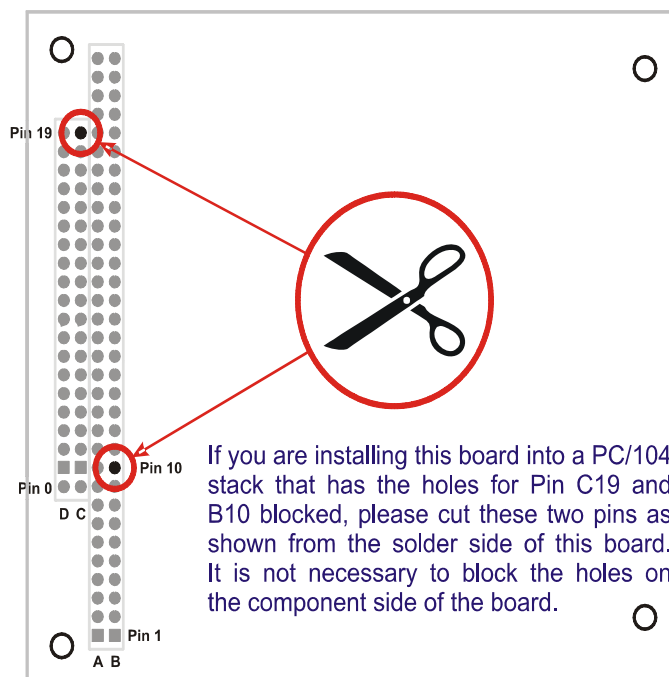
Before installing the board, please run setup.exe. The SETUP Program can be used to assist in configuring the two switches on the board. The setup program does not set the options on the board, these must be set manually by the user.

The PCI bus clock trace length from the CPU to the cards in the stack is tuned so that the clock edge arrives at the interface when data is valid. Since boards in the PC/104 stack are at different distances from the CPU, provision is made on the CPU board to supply four clock signals with compensating trace lengths. Two signals from other groups must be likewise selected: IDSEL and INT. When the PCI bus is being initialized, the operating system will enable each card with a hard-wired select line and read its configuration registers. An address is assigned, space in the memory map and I/O map is reserved, etc. Similarly, the CPU's interrupt controller resources (INTA, INTB, INTC, INTD) will be distributed among the cards in the stack. A set of four-to-one multiplexers and two slide switches are used to select which PCI clock, IDSEL and INT lines are routed to the card's PCI bus interface.

Only four PCI boards are allowed in a PC/104-Plus stack, each board must get a specific set of signals. These signals are selected with two slide switches, labeled SEL-1 and SEL-2, which form a binary value to control the mux (SEL-1 is the least significant bit and SEL-2 is the most significant bit). If this card is furthest from the CPU, slide both switches to the OFF STATE. This will select the signal with the longest trace on the CPU board (signal group 3). If this card is closest to the CPU, slide both switches to the ON STATE. This will select the signal with the shortest trace on the CPU board (signal group 0). Place the SEL-1 switch to ON and SEL-2 to OFF to select signal group 2, place the SEL-1 switch to OFF and SEL-2 to OFF to select signal group 1.

**To Install the Card**

1. Install jumpers for selected options and base address according to your application requirements, as mentioned above.
2. Remove power from the PC/104 stack.
3. Assemble standoff hardware for stacking and securing the boards.
4. Carefully plug the board onto the PC/104 connector on the CPU or onto the stack, ensuring proper alignment of the pins before completely seating the connectors together.
5. Install I/O cables onto the board's I/O connectors and proceed to secure the stack together or repeat steps 3-5 until all boards are installed using the selected mounting hardware.
6. Check that all connections in your PC/104 stack are correct and secure then power up the system.
7. Run one of the provided sample programs appropriate for your operating system that was installed from the CD to test and validate your installation.



**Figure 2-1: PC/104 Key Information**

Our setup program will lead the user through the process of setting the options on the card. The setup program does not set the options on the card. These must be set by jumpers on the card.

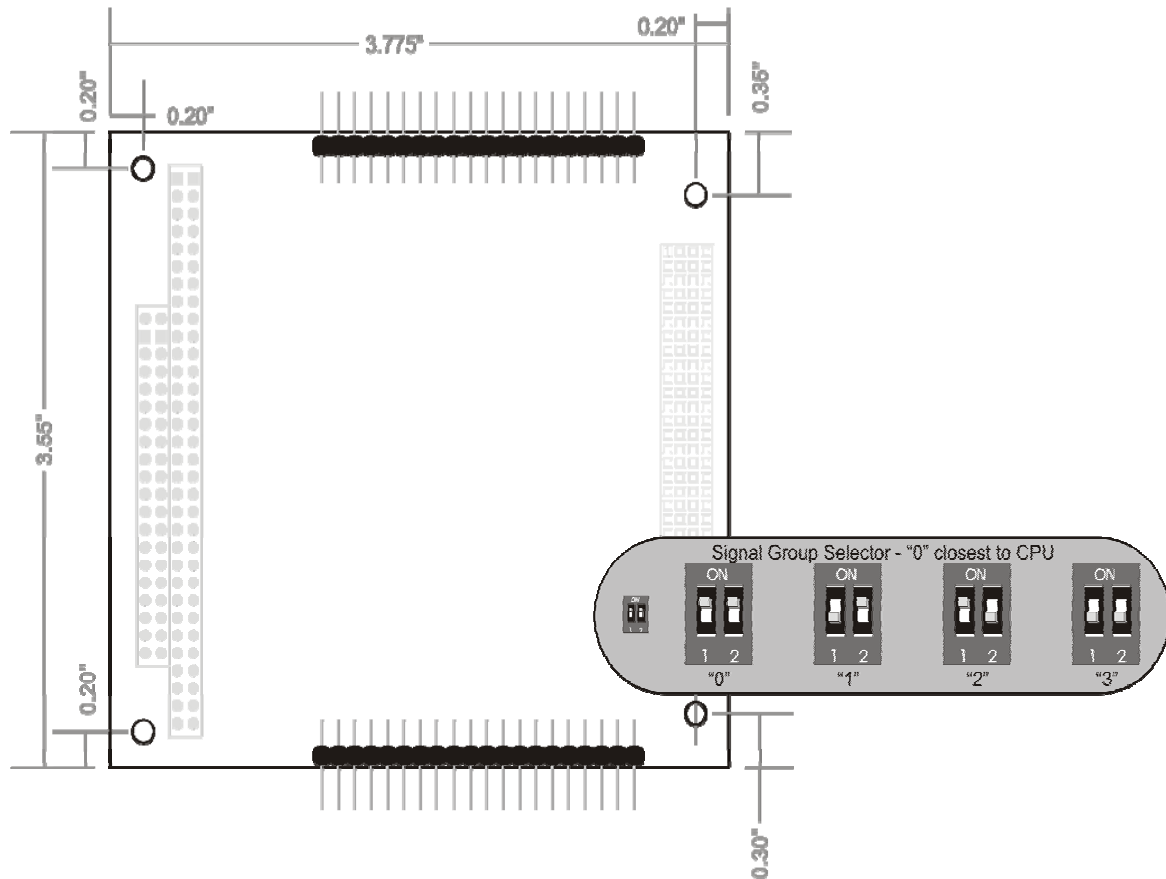
To install the card:

1. Turn off the computer power.
2. Position the slide switches to select the clock, IDSEL, and interrupt signal group.
3. Install the card in a PC/104-Plus stack.
4. Install I/O cables at P1 and P2.
5. Inspect for proper fit of the card and cable and then tighten the screws.



## Chapter 3: OPTION SELECTION

Most PCI bus signals are common to all four cards in the PCI stack. However, there are four unique signal groups, one for each card. The slide switches select which signal group goes to each card. The card in the stack closest to the CPU board must get signal group 0.



**Figure 3-1:** Option Selection Map

## Chapter 4: ADDRESS SELECTION

The system BIOS or operating system will assign the address. The card occupies 4K bytes of I/O space. The 32 bit interrupt status register is at base address + 80h.

PCI architecture is Plug-and-Play. This means that the BIOS or Operating System determines the resources assigned to PCI cards rather than you selecting those resources with switches or jumpers. As a result, you cannot set or change the card's base address. You can only determine what the system has assigned.

To determine the base address that has been assigned, run the PCIFind.EXE, or PCINT utility program provided. This utility will display a list of all of the cards detected on the PCI bus, the addresses assigned to each function on each of the cards, and the respective IRQs (if any) allotted.

Alternatively, some operating systems (Windows 95/98/2000) can be queried to determine which resources were assigned. In these operating systems, you can use either PCIFind (DOS), PCINT (Windows95/98/NT), or the Device Manager utility from the System Applet of the control panel. The card is installed in the Data Acquisition class of the Device Manager list. Selecting the card, clicking Properties, and then selecting the Resources Tab will display a list of the resources allocated to the card.

The PCI bus supports 64K of I/O space. Your card's addresses may be located anywhere in the 0000 to FFFF hex range.

PCIFind uses the Vendor ID and Device ID to search for your card, then reads the base address and IRQ.

If you want to determine the base address and IRQ yourself, use the following information.

The Vendor ID for the card is 494F. (ASCII for "IO")

The Device ID for the card is 10A8.

## Chapter 5: CONNECTOR PIN ASSIGNMENTS



**Table 5-1:** P1 Connector Pin Assignment

Pin	Function	Pin	Function
1	Carrier Detect 0	2	Data Set Ready 0
3	Rx 0	4	RTS 0
5	Tx 0	6	CTS 0
7	Data Terminal Ready 0	8	Ring Indicator 0
9	ground	10	no connection
11	Carrier Detect 1	12	Data Set Ready 1
13	Rx 1	14	RTS 1
15	Tx 1	16	CTS 1
17	Data Terminal Ready 1	18	Ring Indicator 1
19	ground	20	no connection
21	Carrier Detect 2	22	Data Set Ready 2
23	Rx 2	24	RTS 2
25	Tx 2	26	CTS 2
27	Data Terminal Ready 2	28	Ring Indicator 2
29	ground	30	no connection
31	Carrier Detect 3	32	Data Set Ready 3
33	Rx 3	34	RTS 3
35	Tx 3	36	CTS 3
37	Data Terminal Ready 3	38	Ring Indicator 3
39	ground	40	no connection



**Table 5-2: P2 Connector Pin Assignment**

Pin	Function	Pin	Function
1	Carrier Detect 4	2	Data Set Ready 4
3	Rx 4	4	RTS 4
5	Tx 4	6	CTS 4
7	Data Terminal Ready 4	8	Ring Indicator 4
9	ground	10	no connection
11	Carrier Detect 5	12	Data Set Ready 5
13	Rx 5	14	RTS 5
15	Tx 5	16	CTS 5
17	Data Terminal Ready 5	18	Ring Indicator 5
19	ground	20	no connection
21	Carrier Detect 6	22	Data Set Ready 6
23	Rx 6	24	RTS 6
25	Tx 6	26	CTS 6
27	Data Terminal Ready 6	28	Ring Indicator 6
29	ground	30	no connection
31	Carrier Detect 7	32	Data Set Ready 7
33	Rx 7	34	RTS 7
35	Tx 7	36	CTS 7
37	Data Terminal Ready 7	38	Ring Indicator 7
39	ground	40	no connection

## Chapter 6: SPECIFICATIONS

### Specification

PCI Bus: Rev. 2.3  
PC/104 Bus: Feedthrough only, no connection to the card  
I/O Space: Requires 4k

### 16550 Compatible

Data Size: 5, 6, 7 or 8 bits  
Stop bit length: 1, 1.5 or 2 bits  
Parity: Odd, even, none, forced to 1, or forced to 0  
Break condition: On or off  
Maximum Baud Rate: 460.8Kb/s (transceiver limit with full load)  
Full Duplex Operation  
Eight 64 Byte Transmit FIFO, 64 Byte Receive FIFO (16C550 FIFO = 16 Bytes)  
S/W programmable FIFO trigger levels (16C550 trigger levels are fixed)  
12 standard registers for UART monitoring and control plus special registers  
Loop-back mode  
Scratch pad register

### Transceiver I/O Characteristics

Receiver Input Resistance: 3K to 7K ohm  
Receiver Input Sensitivity:  $\pm 3V$   
Receiver Input Voltage Range:  $\pm 15V$   
Driver Slew Rate:  $30V/\mu S$   
Driver Load Impedance: 3K to 7K ohm  
Driver Output Signal Level: Loaded  $\pm 5V$   
Unloaded  $\pm 15V$

Transceiver ESD Characteristics:  $\pm 15KV$  Human Body Model  
 $\pm 15KV$  Air Discharge  
 $\pm 8KV$  Contact Discharge

Communications Interface: Eight channels split between two 40 pin male headers  
Meets or exceeds the IEEE RS-232 standard

### Environmental

Operating Temperature Range: -40 C to +85 C  
Humidity: 5% to 95%, non-condensing  
Storage Temperature Range: -65 C to +125 C  
Power Required: 50mA quiescent, 150mA maximum  
Size: PC/104-Plus format, 3.5" x 3.75"

## Customer Comments

If you experience any problems with this manual or just want to give us some feedback, please email us at: [manuals@acesio.com](mailto:manuals@acesio.com). Please detail any errors you find and include your mailing address so that we can send you any manual updates.



## Assured Systems

Assured Systems is a leading technology company with over 1,500 regular clients in 80 countries, deploying over 85,000 systems to a diverse customer base in 12 years of business. We offer high-quality and innovative rugged computing, display, networking and data collection solutions to the embedded, industrial, and digital-out-of-home market sectors.

### US

[sales@assured-systems.com](mailto:sales@assured-systems.com)

Sales: +1 347 719 4508  
Support: +1 347 719 4508

1309 Coffeen Ave  
Ste 1200  
Sheridan  
WY 82801  
USA

### EMEA

[sales@assured-systems.com](mailto:sales@assured-systems.com)

Sales: +44 (0)1785 879 050  
Support: +44 (0)1785 879 050

Unit A5 Douglas Park  
Stone Business Park  
Stone  
ST15 0YJ  
United Kingdom

VAT Number: 120 9546 28  
Business Registration Number: 07699660