

APPC 1740T

17" TFT SXGA 4:3 Flush Panel PC with Intel® Celeron® J1900, up to 2.0GHz,
Touch Screen, 4GB DDR3L, 3 x USB, 2 x COM



Main Features

- 4:3 17" SXGA fanless panel computer
- Intel® Celeron® J1900, Quad Core, low consumption CPU
- Flush panel by 5-wire touch screen
- Dual GbE/2nd display-VGA/Line-out
- 3 x USB/2 x mini-PCIe sockets/1 x CFast/2 x RS232/422/485
- DDR3L 4GB/2.5" HDD bracket
- IP65 compliant front panel
- Mounting support: panel/wall/stand/VESA 100mm x 100mm
- Wide range power input 12V~30VDC

Product Overview

The 17" fanless panel PC APPC 1740T incorporating an industrial motherboard is intended for versatile industrial applications. The panel PC has a touch screen LCD panel with 1280 x 1024 (SXGA) resolution and 350-nit brightness. The front panel which adopts flush design and complies with IP65 standard makes it the perfect fit in industrial applications.

The APPC 1740T supports WWAN/WLAN expansion and others via dual Gigabit Ethernet connectors, two mini-PCIe slots and one SIM card holder. With support for wide power input of 12~30VDC, APPC 1740T can gain a strong foothold in industrial field and machine devices. In addition, APPC 1740T can hook 2nd display via a VGA port for dual independent display. APPC 1740T has two isolated RS232/422/485 ports.

Specifications

Panel

- LCD size: 17", 4:3
- Resolution: SXGA 1280 x 1024
- Luminance: 350cd/m²
- Contrast ratio: 800
- LCD color: 16.7M
- Viewing angle: 60 (U), 80 (D), 80 (L), 80 (R)
- Backlight: LED

Touch Screen

- 5-Wire resistive (flush panel type)
- Light transmission: 81%
- Interface: USB

System

- CPU: on-board Intel® Celeron® Quad Core processor J1900, up to 2.0GHz, 2M L2 Cache
- BIOS: AMI BIOS
- System memory: 2 x 204-pin DDR3L SO-DIMM socket, 4GB DDR3L (default), support up to 8GB DDR3L-1066/1333, non-ECC and un-buffered
- Storage device
 - 1 x External locked CFast socket
 - 1 x Hard drive bay: optional 1 x 2.5" SATA HDD or 1 x SATA DOM

- Watchdog timer: Watchdog timeout can be programmable by software from 1 second to 255 seconds and from 1 minute to 255 minutes (tolerance 15% under room temperature 25°C)
- H/W status monitor: monitoring system temperature, and voltage
- Expansion: 2 x mini-PCIe sockets (support optional Wi-Fi, 3.5G module)

Rear I/O

- Ethernet: 2 x RJ45
- 2nd display VGA port: 1 x DB15
- Audio port: 1 x Line-out
- USB: 2 x USB 2.0, 1 x USB 3.0
- Power switch
- Reset button
- 2-Pin remote power on/off switch
- COM #1: RS232/422/485 w/2.5kv isolated
- COM #2: RS232/422/485 w/2.5kv isolated

Audio

- HD audio codec: realtek ALC888S-VD2
- Audio interface: Line-out

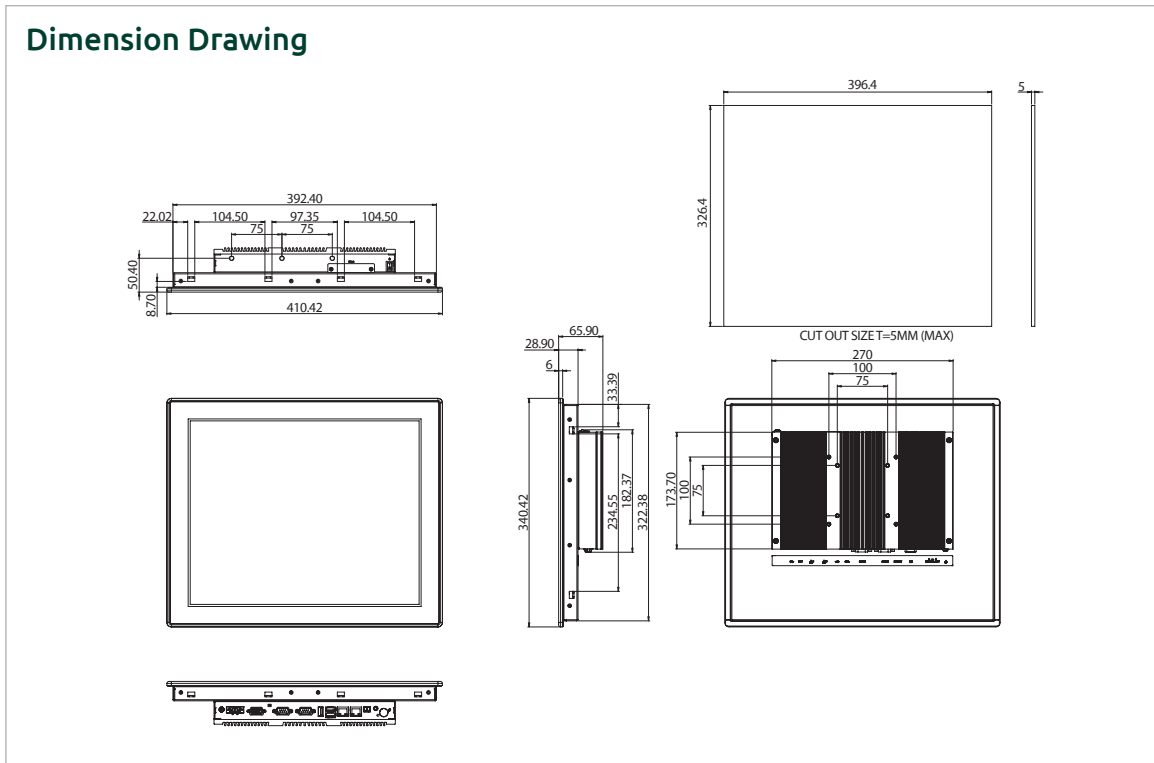
Ethernet

- LAN chip: dual Intel® I210 Gigabit LAN
- Ethernet interface: 10/100/1000 Base-Tx Ethernet compatible



www.nexaiot.com

Dimension Drawing



Mechanical & Environment

- Color: Pantone black\RAL 15 00 front bezel w/ Pantone 400C\RAL 090 80 10 metal style membrane and black silver PC box
- IP protection: IP65 front
- Mounting: panel/wall/stand/VESA 100mm x 100mm
- Power
 - Power input: 12V~30VDC
 - Power adapter: optional AC to DC power adapter (+12V, 60W)
- Vibration
 - IEC 68 2-64 (w/HDD)
 - 1Grms @ sine, 5~500Hz, 1hr/axis (HDD operating)
 - 2Grms @ sine, 5~500Hz, 1hr/axis (CFast operating)
 - 2.2Grms @ random condition, 5~500Hz, 0.5hr/axis (non-operating)
- Shock
 - IEC 68 2-27
 - HDD: 20G@wall mount, half sine, 11ms
- Temperature
 - Operating temperature: -5°C to 60°C
 - Storage temperature: -20°C to 75°C
- Operating humidity: 10%~90% relative humidity, non-condensing limits to be at 90% RH at max 50°C
- Dimension: 410.4 x 340.4 x 65.9 mm
- Weight: 5.6 kg

Certifications

- CE approval
- FCC Class A

OS Support Lists

- Windows 10 64-bit
- Windows 8 32-bit/64-bit
- Windows 7 32-bit/64-bit
- WinCE 7.0

Ordering Information

Barebone

- **APPC 1740T-B (P/N: 10IA1740T07X0)**
17" SXGA LED backlight touch panel PC, Intel® Celeron® J1900 up to 2.0GHz, touch screen, 4GB DDR3L, 2 x RS232/422/485, Intel® I210-HT Gigabit LAN
- **APPC 1740T-B0 (P/N: 10IA1740T13X0)**
17" SXGA LED backlight touch panel PC, Intel® Celeron® J1900 up to 2.0GHz, touch screen, 4GB DDR3L, 2 x RS232/422/485, Intel® I210-HT Gigabit LAN

Options

- **12V, 60W AC/DC power adapter w/o power cord (P/N: 7400060062X00)**

Assured Systems

Assured Systems is a leading technology company with over 1,500 regular clients in 80 countries, deploying over 85,000 systems to a diverse customer base in 12 years of business. We offer high-quality and innovative rugged computing, display, networking and data collection solutions to the embedded, industrial, and digital-out-of-home market sectors.

US

sales@assured-systems.com

Sales: +1 347 719 4508
Support: +1 347 719 4508

1309 Coffeen Ave
Ste 1200
Sheridan
WY 82801
USA

EMEA

sales@assured-systems.com

Sales: +44 (0)1785 879 050
Support: +44 (0)1785 879 050

Unit A5 Douglas Park
Stone Business Park
Stone
ST15 0YJ
United Kingdom

VAT Number: 120 9546 28
Business Registration Number: 07699660