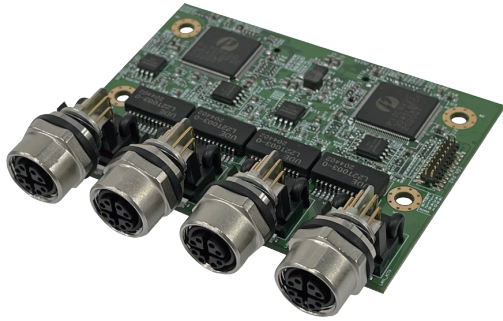


# CMI-XM12LAN01

CMI Module with 4x Intel GbE LAN, M12 X-Coded Connector



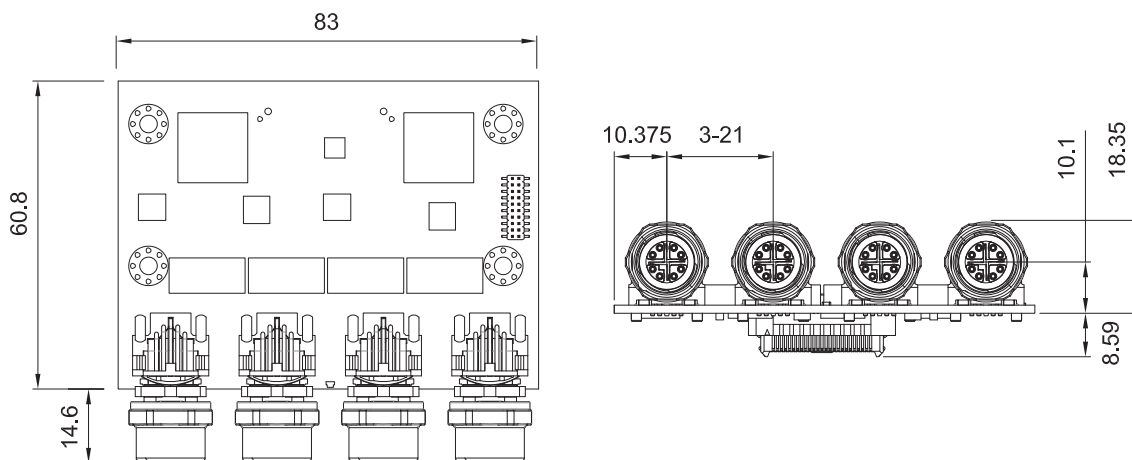
- CMI (Combined Multiple I/O) Technology
- Intel® I210 Gigabit Ethernet controller
- M12 X-Coded Connector
- Support PoE Function Through Optional CFM Module



## Specifications

|                         |  |
|-------------------------|--|
| Interface               | CMI (Combine Multiple I/O) Interface   |
| Ethernet Port           | 4x Intel® I210 Ethernet Ports, Support Wake on LAN, Teaming, 9.5KB Jumbo Frame |
| Connector Type          | M12 X-Coded Connectors   |
| Transmission Rate       | 10 / 100 / 1000 Mbps   |
| Expansion               | 1x CFM Interface for PoE Function  |
| Dimension ( W x D x H ) | 83 x 60.8 x 18.35 mm   |

## Dimensions



Unit: mm

## Ordering Information

### Available Models

|                          |   |
|--------------------------|---|
| <b>CMI-XM12LAN01-R10</b> | CMI Module with 4x Intel GbE LAN, M12 X-Coded Connector |
|--------------------------|---|

### Optional Accessories

|                  |   |
|------------------|---|
| <b>CFM-PoE01</b> | CFM Module with PoE Control Function, Individual Port 25.5W (for DX & GM & GP Series) |
|------------------|---|

|                  |   |
|------------------|---|
| <b>CFM-PoE03</b> | CFM Module with PoE Control Function, Individual Port 25.5W (for DS Series) |
|------------------|---|

|                      |   |
|----------------------|---|
| <b>CFM-PoE06-R10</b> | CFM Module with PoE Control Function, Individual Port 25.5W (for DI-1100) |
|----------------------|---|

|                      |   |
|----------------------|---|
| <b>CFM-PoE07-R10</b> | CFM Module with PoE Function, Individual Port 25.5W (for GP-3000) |
|----------------------|---|

## Compatible List

| Model No.                   | CMI-XM12LAN01 |
|-----------------------------|---------------|
| DS-1400 / DS-1401 / DS-1402 | V             |
| DS-1300 / DS-1301 / DS-1302 | V             |
| DS-1200 / DS-1201 / DS-1202 | V             |
| DS-1100 / DS-1101 / DS-1102 | V             |
| DI-1100 / DI-1200           | V             |
| DX-1000 / DX-1100 / DX-1200 | V             |
| GM-1000                     | V             |
| GP-3000                     | V             |

## Assured Systems

Assured Systems is a leading technology company with over 1,500 regular clients in 80 countries, deploying over 85,000 systems to a diverse customer base in 12 years of business. We offer high-quality and innovative rugged computing, display, networking and data collection solutions to the embedded, industrial, and digital-out-of-home market sectors.

### US

[sales@assured-systems.com](mailto:sales@assured-systems.com)

Sales: +1 347 719 4508  
Support: +1 347 719 4508

1309 Coffeen Ave  
Ste 1200  
Sheridan  
WY 82801  
USA

### EMEA

[sales@assured-systems.com](mailto:sales@assured-systems.com)

Sales: +44 (0)1785 879 050  
Support: +44 (0)1785 879 050

Unit A5 Douglas Park  
Stone Business Park  
Stone  
ST15 0YJ  
United Kingdom

VAT Number: 120 9546 28  
Business Registration Number: 07699660