

AIR6N0-C-W NX 4xTVI

YUAN

Card Size AI Edge with Multi AIoT Expansion

Features

- Powered by NVIDIA® Jetson Orin™ NX Super up to 157 / 117 TOPS
- 4xTVI In
- 2xM.2, Gen 4x2 M Key / Gen 4x1 E Key
- 1xUSB3.2 Gen2
- 1xMini DisplayPort



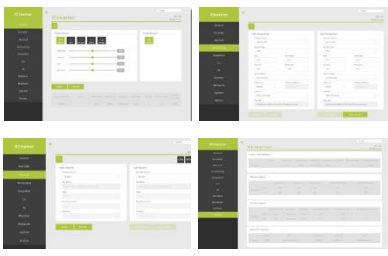
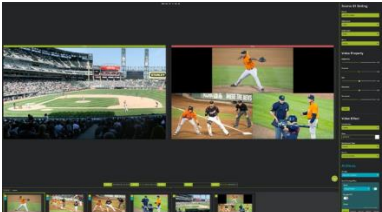
Specifications

System				
SOM	NVIDIA Jetson Orin™ NX 16GB Super	NVIDIA Jetson Orin™ NX 8GB Super	NVIDIA Jetson Orin™ Nano 8GB Super	NVIDIA Jetson Orin™ Nano 4GB Super
CPU	8-Core Arm® Cortex®-A78AE v8.2 64-Bit CPU 2MB L2 + 4MB L3	6-Core Arm® Cortex®-A78AE v8.2 64-Bit CPU 1.5MB L2 + 4MB L3	6-Core Arm® Cortex®-A78AE v8.2 64-Bit CPU 1.5MB L2 + 4MB L3	
GPU	1024-Core NVIDIA Ampere Architecture GPU with 32 Tensor Cores		1024-core NVIDIA Ampere Architecture GPU with 32 Tensor Cores	512-core NVIDIA Ampere Architecture GPU with 16 Tensor Cores
AI Performance	157 TOPS	117 TOPS	67 TOPS	34 TOPS
System Memory	16GB 128-bit LPDDR5 102.4GB/s	8GB 128-bit LPDDR5 102.4GB/s	8GB 128-bit LPDDR5 102 GB/s	4GB 64-bit LPDDR5 51 GB/s
Interface				
Storage	Supports External NVMe 1xMicro SD Card Slot			
Display Interface	1xMini DP1.4			
Ethernet	1xRJ45 for 10/100/1000Mbps Ethernet (DHCP Client)			
Expansion Slot	1xM.2 2230 M Key PCIe Gen4x2 Slot (Nano: Gen3x2) 1xM.2 2230 E Key PCIe Gen4x1 Slot (Nano: Gen3x1)			
USB	1xUSB3.2 Gen2 (Type-C)			
MIPI	8 MIPI CSI-2 Lanes (D-PHY 2.1, Support MIPI Camera, Capture Card)			
Peripheral Communication	8 Pin Phoenix Connector 1xGPIO 1xRS232 1xI2C			
Misc. Features	Firmware Upgradable			
Development Environment				
JetPack	6.2 or Higher			
Environment				
Power Supply	DC input : 12~36V			
Power Consumption	TBA			
Operating Temperature	0~60° C with Airflow			
Storage Temperature	-20~80° C			
Certification	CE, FCC			

Key Points

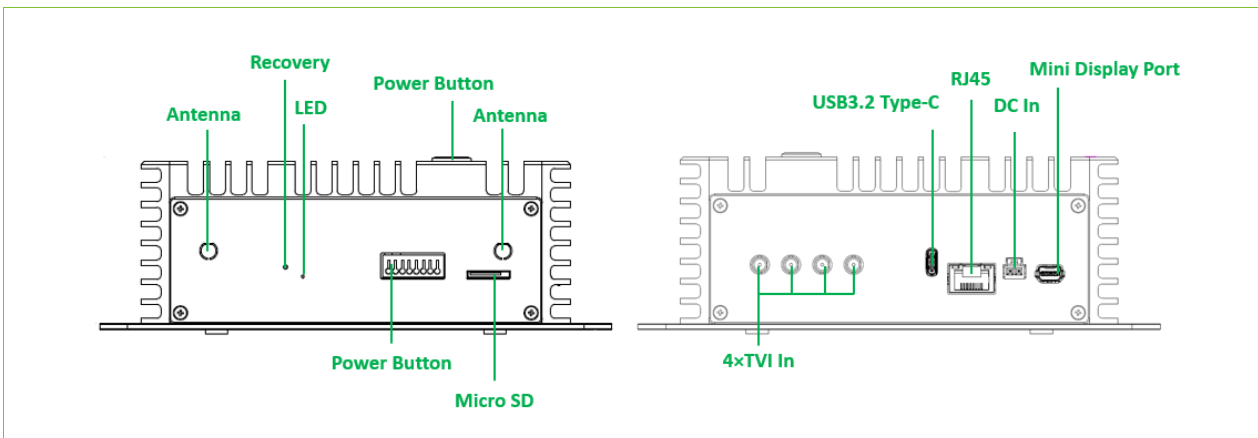
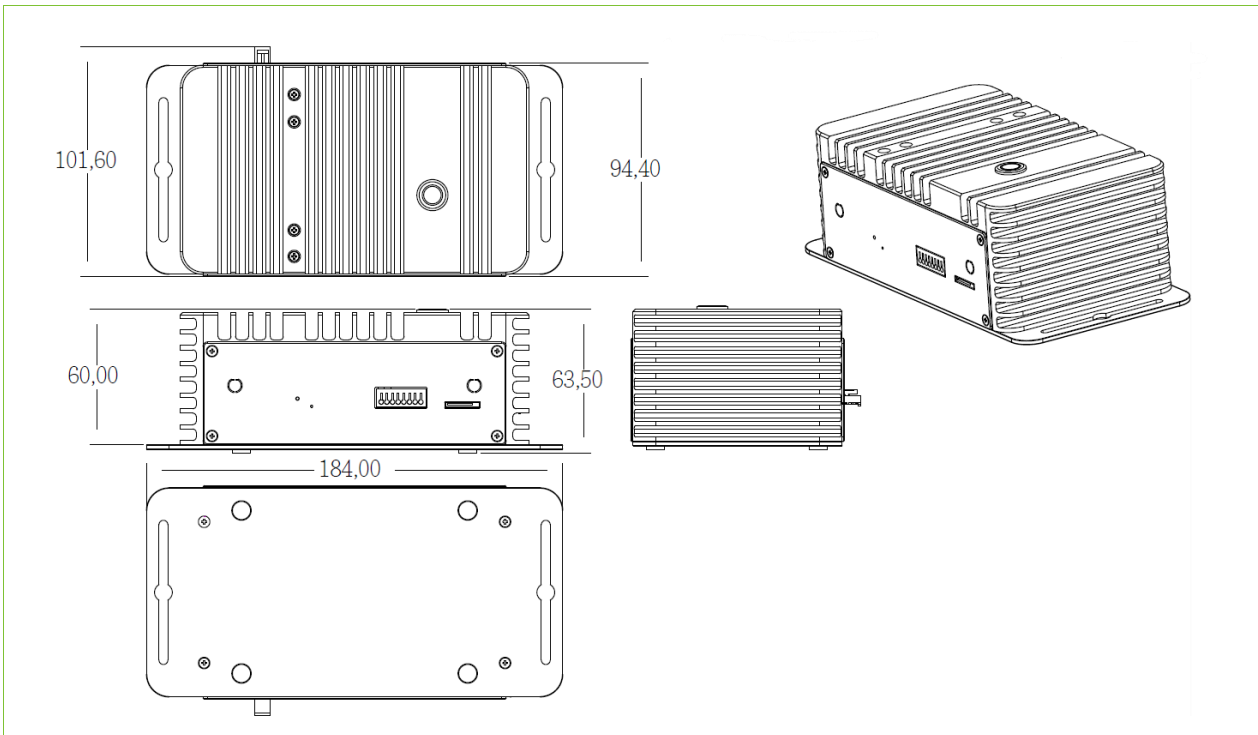
Video Feature	
Input	4xTVI

SDK / Software

Video Feature				
SOM	NVIDIA Jetson Orin™ NX 16GB Super	NVIDIA Jetson Orin™ NX 8GB Super	NVIDIA Jetson Orin™ Nano 8GB Super	NVIDIA Jetson Orin™ Nano 4GB Super
Video Encode	AV1 (UHP) 1×4K60 3×4K30 6×1080p60 12×1080p30		1080p30 supported by 1-2 CPU cores	
	H.265 (UHP) 1×4K60 3×4K30 6×1080p60 12×1080p30			
	H.264 (UHP) 1×4K60 2×4K30 5×1080p60 11×1080p30			
Video Decode	AV1 (Main Profile) 1×8K30 2×4K60 4×4K30 10×1080p60 20×1080p30		AV1 (Main Profile) 1×4K60 2×4K30 5×1080p60 10×1080p30	
	H.265 (Main, Main10) 1×8K30 2×4K60 4×4K30 9×1080p60 18×1080p30		H.265 (Main, Main10) 1×4K60 2×4K30 5×1080p60 11×1080p30	
	H.264 (Baseline, Main, High) 1×4K60 2×4K30 5×1080p60 11×1080p30		H.264 (Baseline, Main, High) 1×4K30 3×1080p60 7×1080p30	
	VP9 (Profile 0, Profile 2) 1×4K60 3×4K30 7×1080p60 15×1080p30		VP9 (Profile 0, Profile 2) 1×4K60 2×4K30 5×1080p60 10×1080p30	
SDK				
QCAP	Capture High Performance Renderer Image Snapshot De-interlace, Alpha Blending Engine Auto Signal Detection 2D/3D Video, Audio and VANC Streams Capture			
	Record Encrypt / Sync / Clone / Recording Time-Shifting / Rewind / Pre-Event / Recording Multi-Streams (3D) Recording Animation Transition Effect Video Cropping, Scaling and Alpha Blending Engine			
	Stream 2D/3D Universal Stream Client 2D/3D Multi-Streams Stream Server RTSP, RTMP, HLS, SRT, TS, WebRTC. NDI-HX (*), Full NDI (*) Animation Transition Effect Video Cropping, Scaling and Alpha Blending Engine *Separate License Required			
QDEEP	AI SDK Integrated Multiple Algorithms and Deep-Learning Models in Various Fields of Applications Face Recognition Objects Detection Objects Segment Optical Character Recognition License Plate Recognition Customizable Video AI Functions Upon Request			
Software (Optional)				
Xtreamer	Web Based User Interface			
	Encode / Decode AV1, H.26X			
	Color Format Adjust 444 / 422 / 420, 10Bit / 8Bit Select			
	Record MP4, TS			
	Stream / Network RTSP, RTMP, HLS, SRT, TS, WebRTC. NDI-HX (*), Full NDI (*) *Separate License Required			
Software (Optional)				
SCP	Capture Auto Signal Detection Deinterlace, OSD, Color Adjustment Image Snapshot Animation Transform Effect for PGM			
	Record AV1, H.26X MP4, TS Multi-Stream Recording Schedule Recording			
	Stream Multi-Streams Stream Server RTSP, RTMP, HLS, SRT, TS, WebRTC, Full NDI (*), NDI-HX(*) * Separate License Required			

Mechanical

- Dimension: 184 mm × 94.4 mm × 60 mm
- Weight: 968g



* All registered trademarks are the property of their owners. The photo is for reference only.

* Technology License Patent Royalty. Supplier (YUAN Technology Ltd.) as an OEM vendor is not responsible for any royalties applied to the Models and collected by any patent or trade mark holders or his exclusive, non-exclusive.

Licensees or representatives such as MPEGLA, Dolby, Thomson, Sisvel, H.264, MPEG4 and any other natural or legal person. All concerning royalties of patents and trade marks will be paid or negotiated with the above mentioned owner by you. In case of any patent or trademark infringement you are responsible for all necessary processes and costs. You accept and acknowledge that all prices of Models offered by supplier are exclusive of any royalties, charges or license fees for any patents in any countries or areas.

Assured Systems

Assured Systems is a leading technology company with over 1,500 regular clients in 80 countries, deploying over 85,000 systems to a diverse customer base in 12 years of business. We offer high-quality and innovative rugged computing, display, networking and data collection solutions to the embedded, industrial, and digital-out-of-home market sectors.

US

sales@assured-systems.com

Sales: +1 347 719 4508
Support: +1 347 719 4508

1309 Coffeen Ave
Ste 1200
Sheridan
WY 82801
USA

EMEA

sales@assured-systems.com

Sales: +44 (0)1785 879 050
Support: +44 (0)1785 879 050

Unit A5 Douglas Park
Stone Business Park
Stone
ST15 0YJ
United Kingdom

VAT Number: 120 9546 28
Business Registration Number: 07699660