



Intel® Atom™ E3800 Series  
Fanless Embedded Systems

## EC700-BT



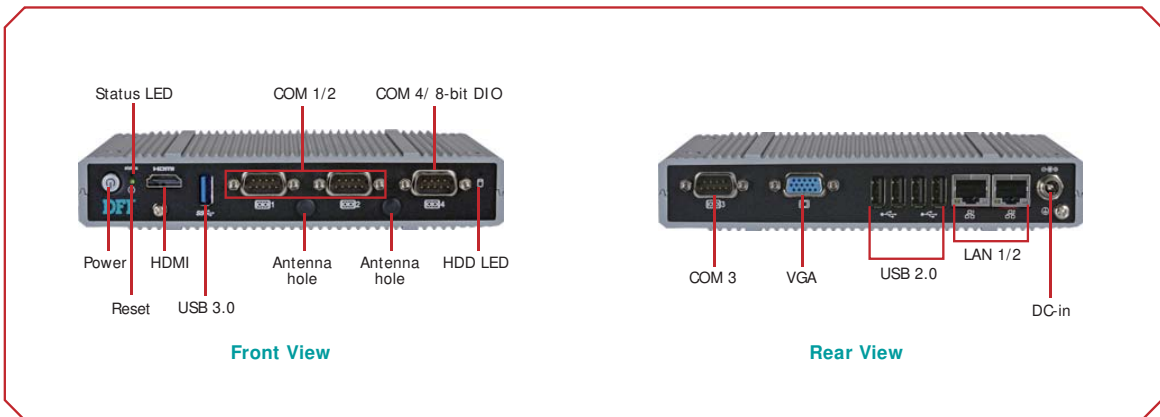
### ► Features

- 4GB/ 2GB DDR3L ECC onboard
- 1 mSATA, eMMC (optional)
- 1 2.5" SATA drive bay
- Supports Wi-Fi, 3G, and GPRS application
- Error Correcting Code (ECC) delivers a high level of data integrity, reliability, and system uptime

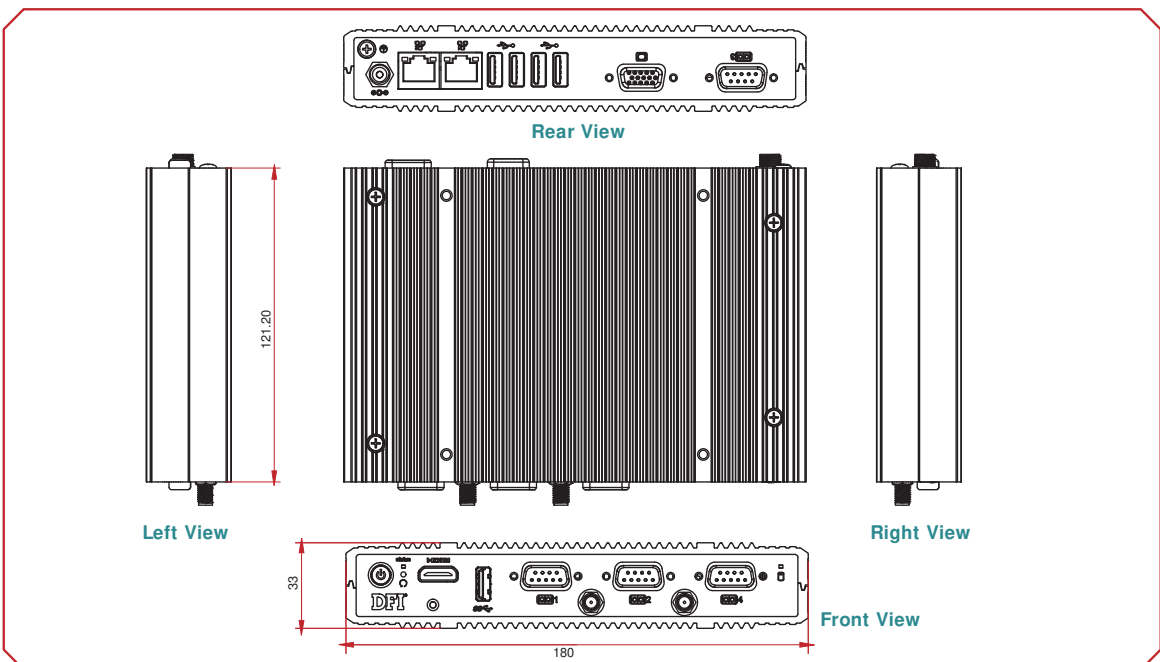


Light-weight, fanless system  
Low-power, high-performance

### ► Panel



### ► Dimensions



Intel® Atom™ E3800 Series  
Fanless Embedded Systems



## EC700-BT

### ► Specifications

#### PROCESSOR SYSTEM

- Intel® Atom™ E3845, Quad Core, 2M Cache, 1.91GHz, 10W
- Intel® Atom™ E3825, Dual Core, 1M Cache, 1.33GHz, 6W
- BGA 1170 packaging technology
- 22nm process technology

#### MEMORY

- 4GB/2GB DDR3L ECC onboard
- Supports DDR3L 1333MHz (-E45)  
Supports DDR3L 1066MHz (-E25)
- Supports dual channel memory interface (-E45)  
Supports single channel memory interface (-E25)

#### GRAPHICS

- Intel® HD Graphics
- Display ports: 1 HDMI and 1 VGA (DVI-I optional)
- VGA and DVI-I: 24-bit, resolution up to 2560x1600 @ 60Hz
- HDMI: resolution up to 2560x1600 @ 24Hz

#### STORAGE

- 1 2.5" SATA drive bay
  - SATA 2.0 port with data transfer rate up to 3Gb/s
- 1 mSATA module via a Mini PCIe slot
- Supports 4GB, 8GB and 16GB eMMC onboard (option)

#### ETHERNET

- 2 Intel® I210 PCI Express Gigabit Ethernet controllers
- Integrated 10/100/1000 transceiver
- Fully compliant with IEEE 802.3, IEEE 802.3u, IEEE 802.3ab

#### COM

- 4 DB-9 ports
  - 3 DB-9 port supports RS232/422/485 COM port
  - 1 DB-9 port supports RS232/422/485 COM or 8-bit DIO

#### EXPANSION

- 3 Mini PCIe slots
  - 2 slots for communication
    - : One half size slot supports PCIe, USB, and LPC signals for Wi-Fi module or LPC module
    - : One full size slot supports PCIe, USB, and 3G signals for 3G or GPRS module
  - 1 full size slot for storage
    - : Supports mSATA module
- 1 SIM card socket
- 1 microSD socket (optional)

#### DIO

- 1 8-bit DIO via the DB-9 port

#### I/O PORTS

- Front Panel
  - 3 DB-9 serial ports
    - : supports RS232/422/485 (RS232 and/or power)
    - : One of the ports supports an optional 8-bit DIO
  - 1 USB 3.0 (Type A) port
  - 1 HDMI port
  - 2 Wi-Fi antenna holes
  - 1 status LED
  - 1 HDD LED
  - 1 reset button
  - 1 power button
- Rear Panel
  - 1 DB-9 serial port
    - : supports RS232/422/485 (RS232 and/or power)
  - 1 VGA port; or 1 DVI-I port (optional)
  - 4 USB 2.0 (Type A) ports
  - 2 RJ45 LAN ports
  - 1 9~36V DC-in jack

#### POWER

- Power input voltage: 9~36V DC-in jack

#### ENVIRONMENT

- Temperature
  - Operating: 0°C~60°C (SSD/mSATA/CFast)
  - Operating: 0°C~50°C (HDD)
  - Storage: -20°C~85°C
- Operating Vibration
  - MIL-STD-810F 514-5C-2 (SSD/mSATA)
  - MIL-STD-810F 514-5C-1 (HDD)
- Operating Shock
  - Half sine wave 15G, 11ms, 3 shock per axis (SSD/mSATA)
  - Half sine wave 3G, 11ms, 3 shock per axis (HDD)

#### CONSTRUCTION

- Aluminum + metal aluminum

#### MOUNTING

- Wall/VESA mount
  - Mounting brackets and screws (optional)

#### DI MENSIONS

- 180mm x 33mm x 121.2mm (W x H x D)

#### WEIGHT

- TBD

#### OS SUPPORT

- Windows 7 Ultimate x64 & SP1 (64-bit)
- Windows 8 Enterprise x86 (32-bit)
- Windows 8 Enterprise x64 (64-bit)
- Windows 8.1 Enterprise x86 (32-bit)
- Windows 8.1 Enterprise x64 (64-bit)

#### WATCHDOG TIMER

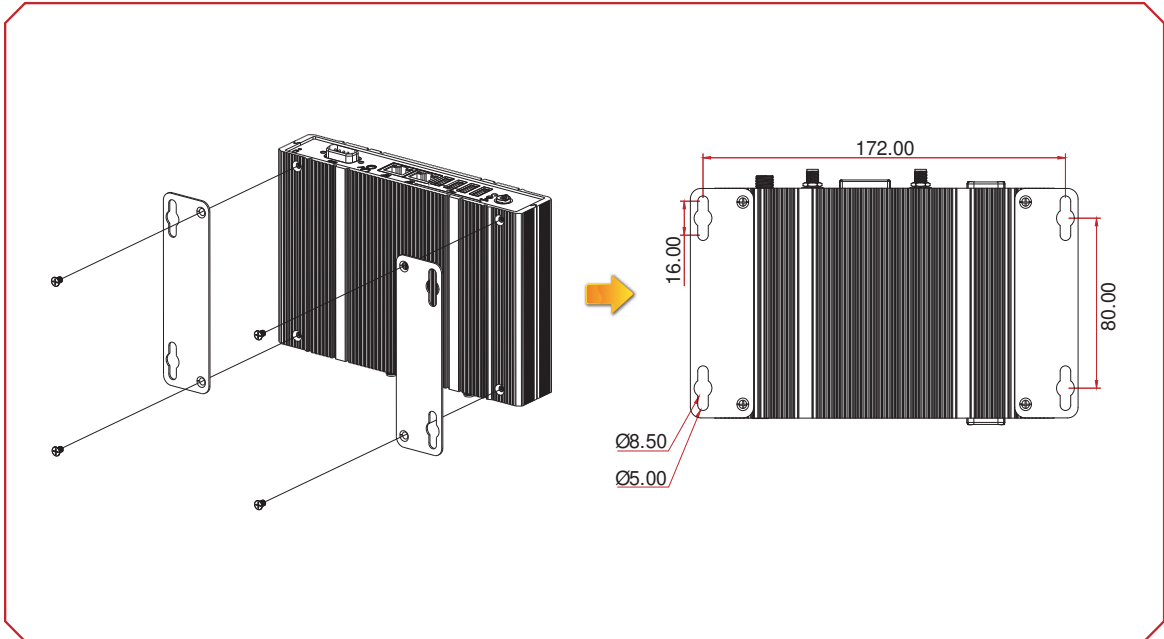
- Watchdog timeout programmable via software from 1 to 255 seconds



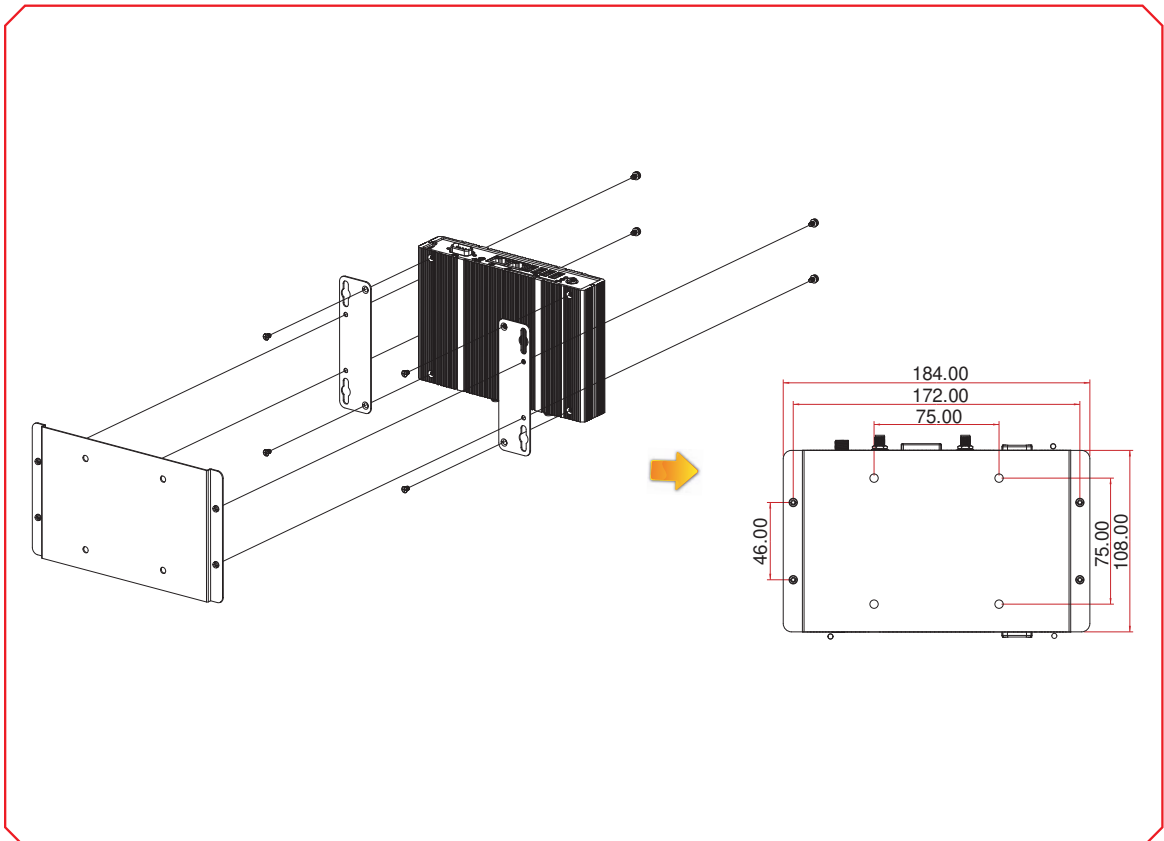
Intel® Atom™ E3800 Series  
Fanless Embedded Systems

## EC700-BT

### ► Wall Mounting



### ► VESA Mounting



Intel® Atom™ E3800 Series  
Fanless Embedded Systems



## EC700-BT

### ► Ordering Information

Model Name	Part Number	Description
EC700-BT4051-252		Fanless, Intel Atom E3825, 2 LAN, 1 HDMI, 1 VGA, 4 COM, 5 USB, 2GB DDR3L onboard, RoHS
EC700-BT4051-254		Fanless, Intel Atom E3825, 2 LAN, 1 HDMI, 1 VGA, 4 COM, 5 USB, 4GB DDR3L onboard, RoHS
EC700-BT4051-452	750-EC7000-900G	Fanless, Intel Atom E3845, 2 LAN, 1 HDMI, 1 VGA, 4 COM, 5 USB, 2GB DDR3L onboard, RoHS
EC700-BT4051-454	750-EC7000-700G	Fanless, Intel Atom E3845, 2 LAN, 1 HDMI, 1 VGA, 4 COM, 5 USB, 4GB DDR3L onboard, RoHS

### ► Optional Items

Optional Items	Part Number	Description
<b>HDD</b>	785-H25500G	2.5" SATA HDD, 500GB, RoHS
	785-H25320G	2.5" SATA HDD, 320GB, RoHS
	785-S25128G	2.5" SATA SSD, 128GB MLC, RoHS
	785-S25064G	2.5" SATA SSD, 64GB MLC, RoHS
	785-S25032G	2.5" SATA SSD, 32GB MLC, RoHS
<b>mSATA</b>	785-MS64GMF	mSATA Card, 64GB MLC, RoHS
	785-MS32GMF	mSATA Card, 32GB MLC, RoHS
	785-MS16GMF	mSATA Card, 16GB MLC, RoHS
	785-MS08GMF	mSATA Card, 8GB MLC, RoHS
	785-MS04GMF	mSATA Card, 4GB MLC, RoHS
<b>Wi-Fi</b>	761-110090-000G	Wi-Fi kit
<b>Power Cord</b>	785-PWRD	Power cord, Standards (USA/EUR/CH), 1.8m, RoHS
<b>Power Adapter</b>	671-106002-102G	60W, 12V/5A
	671-106005-000G	60W, 19V/3.5A
<b>Wall Mount</b>	761-EC7000-000G	EC700 Wall Mount Kit, RoHS
<b>VESA Mount</b>	761-EC7000-100G	EC700 VESA Mount Kit, RoHS

### ► Packing List

• 1 EC700-BT system unit
• 6 mounting screws for Mini PCIe module
• 1 Quick Installation Guide
• 1 CD disk includes:
- Drivers / Manual

## Assured Systems

Assured Systems is a leading technology company with over 1,500 regular clients in 80 countries, deploying over 85,000 systems to a diverse customer base in 12 years of business. We offer high-quality and innovative rugged computing, display, networking and data collection solutions to the embedded, industrial, and digital-out-of-home market sectors.

### US

[sales@assured-systems.com](mailto:sales@assured-systems.com)

Sales: +1 347 719 4508  
Support: +1 347 719 4508

1309 Coffeen Ave  
Ste 1200  
Sheridan  
WY 82801  
USA

### EMEA

[sales@assured-systems.com](mailto:sales@assured-systems.com)

Sales: +44 (0)1785 879 050  
Support: +44 (0)1785 879 050

Unit A5 Douglas Park  
Stone Business Park  
Stone  
ST15 0YJ  
United Kingdom

VAT Number: 120 9546 28  
Business Registration Number: 07699660