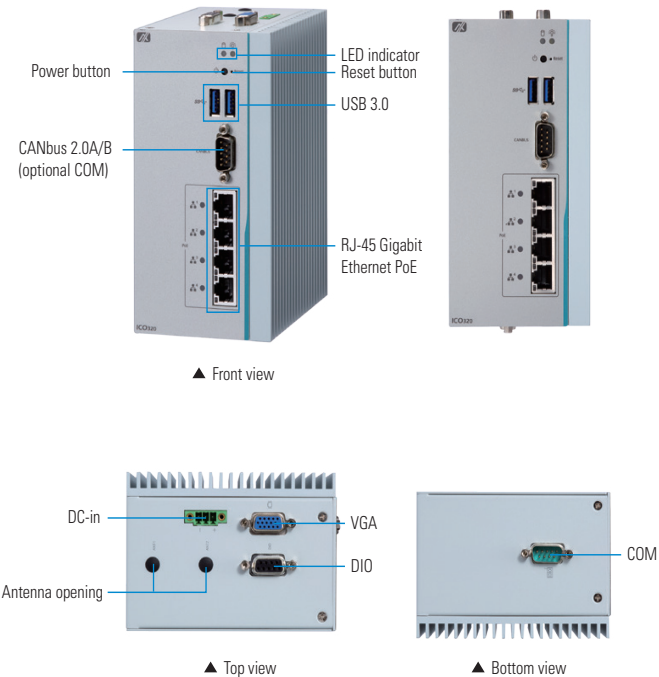


ICO320-83C NEW

Robust DIN-rail Fanless Embedded System with Intel® Celeron® Processor N3350/N4200, COM/CAN, PoE LAN and DIO

Features

- Fanless design
- Intel® Celeron® Processor N3350/N4200
- 1 DDR3L SO-DIMM slot, up to 8GB
- 4 RJ-45 GbE PoE ports
- Wide operating temperature range from. -40°C to +70°C
- 12 to 24VDC power input
- 1 2.5" SATA drive and 1 mSATA



Specifications

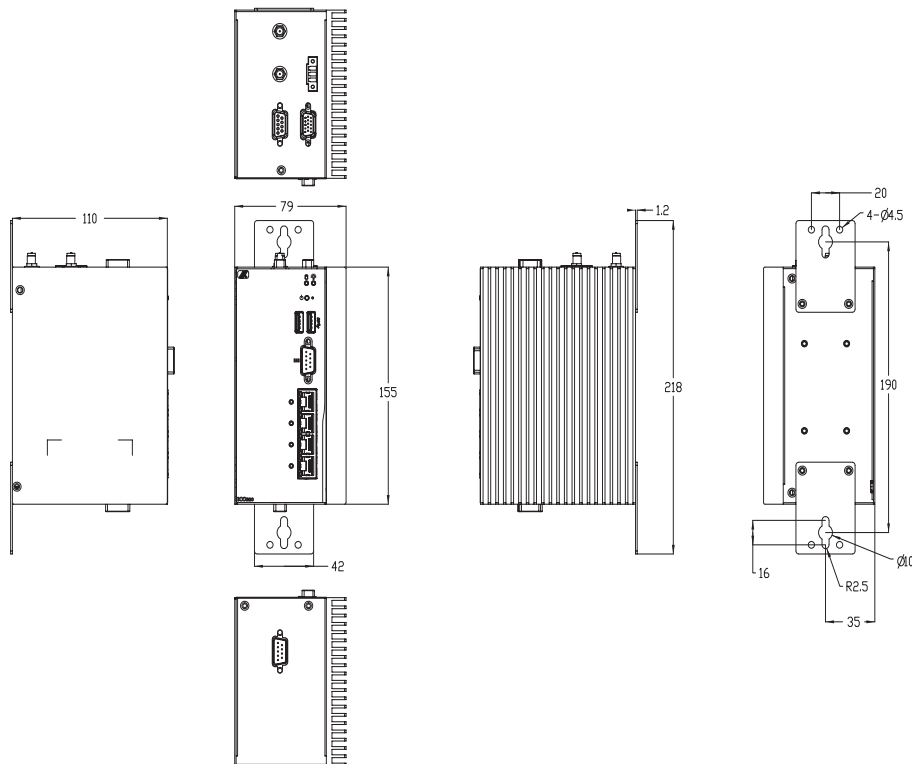
Standard Color	Silver
Construction	Aluminum extrusion and heavy-duty steel, IP40
CPU	Intel® Celeron® processor N3350, 1.1 GHz (Apollo Lake-M) Intel® Celeron® processor N4200, 1.1 GHz (Apollo Lake-M)
Chipset	SoC integrated
System Memory	1 x DDR3L SO-DIMM slot, up to 8GB
LED indicator	1 x system power 1 x HDD active 4 x PoE power #1 to #4 (optional)
BIOS	AMI
System I/O Outlet	2 x USB 3.0 1 x VGA 1 x reset button 1 x power button 1 x DB9 RS-232/422/485 1 x DB9 RS-232/422/485 or 1 x CANbus 2.0 A/B 1 x 8-bit 5V TTL DIO (optional, ICO320-83C-DIO) 4 x RJ-45 PoE Ethernet (802.3at 30W by 4 port, optional) 1 x 3P DC-in

Watchdog Timer	255 levels, 0 ~ 255 seconds/minutes
Storage	1 x 2.5" SATA drive 1 x mSATA
Expansion Interface	1 x full-size PCI Express Mini Card slot 1 x half-size PCI Express Mini Card slot 1 x SIM card socket
Power Supply	12 ~ 24VDC
Power Consumption	PoE power output maximum 30W 802.3af class 2, 7.5W, max 4 ports 802.3af class 3, 15.4W, max 2 ports 802.3at class 4, 30W, max 1 port
Operating Temperature	-40°C ~ +70°C (-40°F ~ +140°F) with W.T. SSD
Humidity	5% ~ 95%, non-condensing
Vibration Endurance	3 Grms w/ SSD (5 ~ 500Hz, X/Y/Z direction; random) 0.8 Grms w/ HDD (5 ~ 500Hz, X/Y/Z direction; random)
Dimensions	79 mm (3.11") (W) x 110 mm (4.33") (D) x 155 mm (6.1") (H)
Weight	TBC
Certificate	CE, FCC
EOS support	Windows® 10, Linux

Ordering Information

Standard	
ICO320-83C-N3350-4POE-CAN-DC	Robust DIN-rail fanless embedded system with Intel® Celeron® processor N3350 (1.1 GHz), 1 COM + 1 CAN, 4 RJ-45 GbE PoE ports, 2 USB and VGA
ICO320-83C-N3350-4POE-DC	Robust DIN-rail fanless embedded system with Intel® Celeron® processor N3350 (1.1 GHz), 2 COM, 4 RJ-45 GbE PoE ports, 2 USB and VGA
ICO320-83C-DIO-N3350-4POE-DC	Robust DIN-rail fanless embedded system with Intel® Celeron® processor N3350 (1.1 GHz), 2 COM, 4 RJ-45 GbE PoE ports, 2 USB, VGA and 8-bit 5V TTL DIO
ICO320-83C-N3350-4LAN-CAN-DC	Robust DIN-rail fanless embedded system with Intel® Celeron® processor N3350 (1.1 GHz), 1 COM + 1 CAN, 4 RJ-45 GbE ports, 2 USB and VGA
ICO320-83C-N3350-4LAN-DC	Robust DIN-rail fanless embedded system with Intel® Celeron® processor N3350 (1.1 GHz), 2 COM, 4 RJ-45 GbE ports, 2 USB and VGA
ICO320-83C-DIO-N3350-4LAN-DC	Robust DIN-rail fanless embedded system with Intel® Celeron® processor N3350 (1.1 GHz), 2 COM, 4 RJ-45 GbE ports, 2 USB, VGA and 8-bit 5V TTL DIO
ICO320-83C-N4200-4POE-CAN-DC	Robust DIN-rail fanless embedded system with Intel® Celeron® processor N4200 (1.1 GHz), 1 COM + 1 CAN, 4 RJ-45 GbE PoE ports, 2 USB and VGA
ICO320-83C-N4200-4POE-DC	Robust DIN-rail fanless embedded system with Intel® Celeron® processor N4200 (1.1 GHz), 2 COM, 4 RJ-45 GbE PoE ports, 2 USB and VGA
ICO320-83C-DIO-N4200-4POE-DC	Robust DIN-rail fanless embedded system with Intel® Celeron® processor N4200 (1.1 GHz), 2 COM, 4 RJ-45 GbE PoE ports, 2 USB, VGA and 8-bit 5V TTL DIO
ICO320-83C-N4200-4LAN-CAN-DC	Robust DIN-rail fanless embedded system with Intel® Celeron® processor N4200 (1.1 GHz), 1 COM + 1 CAN, 4 RJ-45 GbE ports, 2 USB and VGA
ICO320-83C-N4200-4LAN-DC	Robust DIN-rail fanless embedded system with Intel® Celeron® processor N4200 (1.1 GHz), 2 COM, 4 RJ-45 GbE ports, 2 USB and VGA
ICO320-83C-DIO-N4200-4LAN-DC	Robust DIN-rail fanless embedded system with Intel® Celeron® processor N4200 (1.1 GHz), 2 COM, 4 RJ-45 GbE ports, 2 USB, VGA and 8-bit 5V TTL DIO

Dimensions



Assured Systems

Assured Systems is a leading technology company with over 1,500 regular clients in 80 countries, deploying over 85,000 systems to a diverse customer base in 12 years of business. We offer high-quality and innovative rugged computing, display, networking and data collection solutions to the embedded, industrial, and digital-out-of-home market sectors.

US

sales@assured-systems.com

Sales: +1 347 719 4508
Support: +1 347 719 4508

1309 Coffeen Ave
Ste 1200
Sheridan
WY 82801
USA

EMEA

sales@assured-systems.com

Sales: +44 (0)1785 879 050
Support: +44 (0)1785 879 050

Unit A5 Douglas Park
Stone Business Park
Stone
ST15 0YJ
United Kingdom

VAT Number: 120 9546 28
Business Registration Number: 07699660