

FM10Q, 10.4-inch Vehicle Mounted Computer

A Rugged Vehicle Mounted Computer for Data Collection in Warehouse and Logistics Applications

The FM10Q is an Android-based rugged vehicle-mounted computer that ships with a high performance Qualcomm® Snapdragon™ 660 Octa-core CPU. The computer showcases enterprise mobility in a VMC form factor thanks to its rich I/O ports, versatile wireless connectivity options, as well as the high flexibility brought by the design of the dock with a one-click top latch, which allows for easy removal of the device. Engineered to fit seamlessly into forklifts and other warehouse vehicles with its wide range of power input with power isolation, the FM10Q will help minimize errors, streamline inventory management, and improve operational efficiencies.



Highlights

- Qualcomm® Snapdragon™ 660 Octa-core CPU
- 10.4" 1024 x 768 Panel with PCAP touchscreen
- Field replaceable front panel to reduce service costs
- Magnesium alloy housing
- Built-in Wi-Fi and Bluetooth 5.0
- IP65 waterproof and dustproof
- Wide range -30°C to 50°C operating temperature

Order Information	
	4G
FM10Q	N/A
FM10Q-LA	4G LTE

FM10Q, 10.4-inch Vehicle Mounted Computer

A Rugged Vehicle Mounted Computer for Data Collection in Warehouse and Logistics Applications

Display Specification

Size	10.4-inch display (4:3)		
Resolution	1024 x 768		
Brightness	400 nit		
Touch	Projected capacitive (PCAP) multi-touch		
Contrast Ratio	1200:1		
Viewing Angle	88/88/88/88		
Sensor	• Light sensor	• G-Sensor	• Temp. Sensor

System Specification

Processor	Qualcomm® Snapdragon™ 660 Octa-core CPU
System Memory	3GB LPDDR4 ¹
Storage	32GB eMMC
	Additional storage with Micro SD card slot
Operating System	Android 9.0

Wireless Communication

WLAN	802.11 a/b/g/n/ac
Bluetooth	Bluetooth 5.0
GNSS	GPS on Docking
WWAN	Optional 4G LTE

Interface

Computer	1 x Dual-Nano SIM Card Slot 1 x Micro SD Card Slot 1 x USB 3.0 Type C (OTG) 1 x 12V DC in power input jack
Docking	2 x COM 1 x DB9 Connector for 2 x USB 2.0 Port 1 x CANBus or 1 x Audio ² 1 x Gigabit LAN port 1 x Power connector 5 x SMA Connectors (female) for external antennas (WLAN, GPS, WWAN)

Input

Touch	10-point PCAP multi-touch, with stylus support
Physical Buttons	1 x power, 6 x function keys (Programmable function key configured by Winset)

Status Indicators

LED Indicators	Wi-Fi, Bluetooth, UPS battery, HDD, Screen Blanking, Heater
----------------	--

Audio

Speaker	2 x 3W speaker on docking
---------	---------------------------

Cameras

Front Camera	• 2MP webcam • Reading Light
--------------	---------------------------------

Security Function

Mobile Device Management	SOTI Mobicontrol compatible ³
--------------------------	--

Mechanical

Dimension (W x L x H)	Computer: 268 x 214 x 35 mm (10.6 x 8.42 x 1.37 inches) Docking: 202 x 245 x 52 mm (7.9 x 9.6 x 2.04 inches) ⁴
Weight	Computer 1.7 kg (3.75 lbs) Docking 1.6 kg (3.53 lbs)
Housing	Magnesium alloy housing
Cooling System	Fanless design

Environment

Operating Temperature	AC mode: -30°C to 50°C (-22°F to 122°F) Battery mode: -10°C to 50°C (14°F to 122°F)
Storage Temperature	-30°C to 60°C (-22° to 140°F)
Humidity	5% to 90% RH, non-condensing
IP Proof	IP65 certified, dustproof and waterproof
Impact	Support EN62262 IK70 rating
Shock	MIL-STD-810G Method 516.6 Procedure I
Vibration	MIL-STD-810G Method 514.6 Procedure I
ESD	Compliant with EN 61000-4-2, enhanced ESD to ±8kV direct & ±15kV air

Power Management

Power Input	10V-60V, with power isolation and ignition control
UPS Battery	7.6V Battery (2S1P)
UPS Battery Operating Time	Minimum 30 minutes ⁵

Accessories

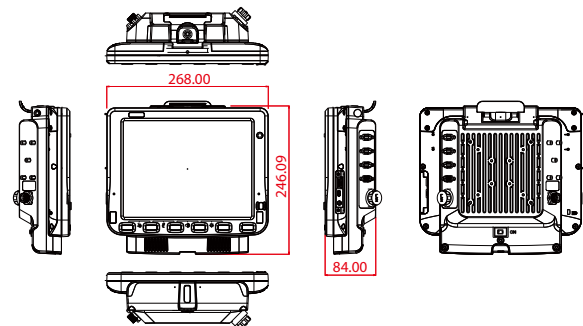
Standard Accessories

Power Cable with Fuse	98K000A00060
84 Watt Adapter	922D084W12V1
Power Converter Cable	94J602G030K2
USB Cable	9483098080K0
Wi-Fi Antenna (1 pcs)	39700000000G x 2
External Antenna Fixing Bracket	88111T201203 x 2
Quick Start Guide	9152111101B
Power Cord	Country Specific P/Ns

Optional Accessories ⁶

DC Power Jack Cable	94J0086020K0
RS232 Cable	94G3094090K2
Audio Cable	94E215R060K0
CAN Bus Cable	94E2150090K0
LAN Cable	94I0080080KF
Key for Vehicle Dock	9B000000007N
WWAN Antenna (1 pcs)	39700000000H x 2
Fuse Kit	94JL01L01000

Drawing ⁷



Do Not Expose the Battery Pack to Excessive Heat, or Extreme Heat (Near Fire, in Direct Sunlight for example)
Do not expose bare skin to this product when handling this unit in extreme hot or cold environments

- Total usable memory will be less depending upon actual system configuration.
- CANBus and audio are mutually exclusive.
- SOTI is available upon request.

- Length measurements do not include protrusions. Weight varies with options.
- Measured at dimming LCD brightness. Varies depending on the usage conditions, or when an external device is attached.
- Accessories may vary depending on your configuration.
- This is a simplified drawing and some components are not marked in detail.

Assured Systems

Assured Systems is a leading technology company with over 1,500 regular clients in 80 countries, deploying over 85,000 systems to a diverse customer base in 12 years of business. We offer high-quality and innovative rugged computing, display, networking and data collection solutions to the embedded, industrial, and digital-out-of-home market sectors.

US

sales@assured-systems.com

Sales: +1 347 719 4508
Support: +1 347 719 4508

1309 Coffeen Ave
Ste 1200
Sheridan
WY 82801
USA

EMEA

sales@assured-systems.com

Sales: +44 (0)1785 879 050
Support: +44 (0)1785 879 050

Unit A5 Douglas Park
Stone Business Park
Stone
ST15 0YJ
United Kingdom

VAT Number: 120 9546 28
Business Registration Number: 07699660