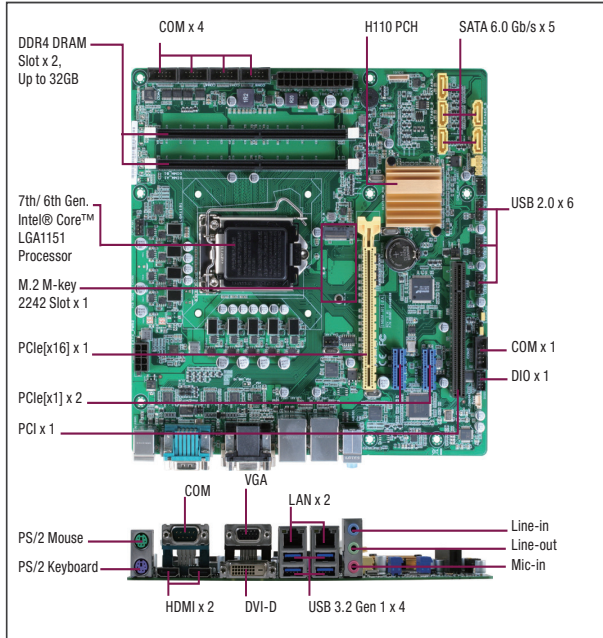


IMBM-H110A

Micro-ATX with 7th/6th Generation Intel® Core™ Processor, DDR4 DRAM, M.2 x 1, USB x 10

Industrial Motherboards



Features

- 7th/6th Generation Intel® Core™ LGA1151 Processor
- DDR4 DRAM Support, 2400MHz, Max. 32GB
- Two Independent Display: HDMI x 2, VGA x 1, DVI-D x 1
- Dual Intel® Gigabit Ethernet
- M.2 Slot (M key) x 1
- USB 3.2 Gen 1 Port x 4, USB 2.0 Port x 6



Rear Panel I/O Ports

USB	USB 3.2 Gen 1 x 4
Display I/O	HDMI x 2, VGA x 1, DVI-D x 1
Audio I/O	Line-in, Mic-in, Line-out
LAN I/O	RJ-45 x 2
Serial Port	DB-9 COM x 1 (supports RS-232/422/485)
PS/2 Port	Stack Port (Keyboard & Mouse) x 1
Others	—

Internal I/O Connectors

Storage	SATA 6.0Gb/s x 5, M.2 M key (22 x 42mm) x 1
USB	USB 2.0 x 6
Display I/O	—
Audio I/O	—
Serial Port	RS-232 header x 5
PS/2 Port	—
Parallel Port	—
DIO	8-bit x 1 (In/Out programmable)
FAN	4-pin CPU Fan x 1, 4-pin Chassis Fan x 2
Power	—
Others	Front panel header x 1, Clear CMOS jumper x 1, BIOS flash header (2[x4]P p=1.27mm) x 1, Chassis Intrusion x 1, AT/ATX mode select jumper x 1

OS

OS Support	Windows® 7 32/64-bit (not supported when a Kaby Lake processor is used), Windows® 8.1 64-bit (not supported when a Kaby Lake processor is used), Windows® 10 64-bit, Linux Fedora 64bit
------------	---

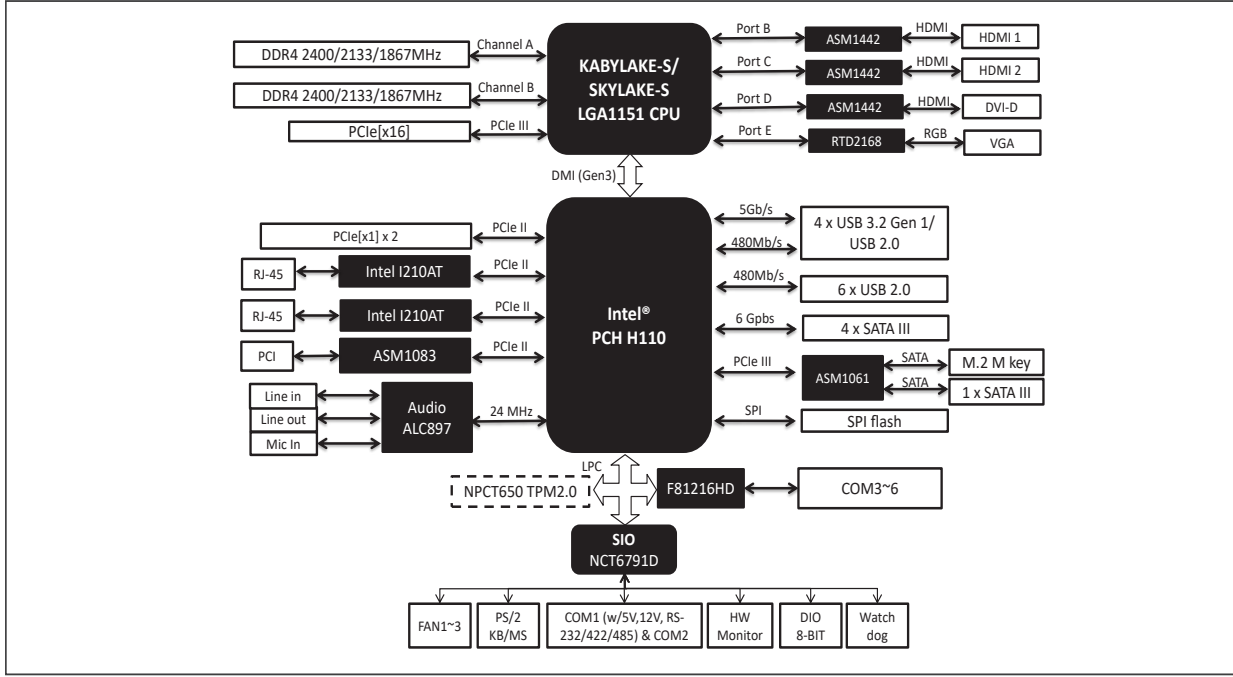
Specifications

System	
Processor	7th/6th Generation Intel® Core™ i7/i5/i3/Pentium®/ Celeron® 14nm LGA1151 Socket Processor
Chipset	Intel® H110
Memory	288-pin DIMM x 2, max. 32GB, DDR4 2400/2133/1867, dual-channel
I/O Chipset	NCT6791D, F81216HD
Ethernet	Intel® i210AT Gb LAN x 2
Audio	Realtek® ALC897 6-Channel High Definition Audio CODEC
TPM	Nuvoton NPT650 TPM2.0 (default : No)
Expansion Slots	PCIe [x16] x 1, PCIe [x1] (open edge) x 2, PCI x 1, M.2 M key (22 x 42mm) x 1
BIOS	128M bit Flash ROM x 1, AMI BIOS
H/W Monitor	Temperature Monitor on CPU/Chassis, Voltage Monitor on Vcore/5V/3.3V/12V/3VSB/VBAT, Fan Monitor on CPU/Chassis
WatchDog Timer	1~255 steps by software program
Smart Fan Control	CPU Fan x 1, Chassis Fan x 2
Wake On LAN/ PXE	Yes (WOL/PXE)
Power State	S3, S4, S5
Graphics	
Graphics Chipset	Intel® HD Graphics
Graphics Multi Display	DVI-D+HDMI, HDMI+HDMI, VGA+HDMI, DVI-D+VGA
VGA	Up to 1920 x 1200 @60Hz
DVI	Up to 1920 x 1200 @60Hz
HDMI	HDMI 1.4 up to 4096 x 2304 @24Hz
Display Port	—
LVDS	—
eDP	—
Backlight Control	—
Environment & Power & ME	
Battery	Lithium battery
Power Requirement	24-pin ATX connector x 1, 8-pin ATX 12V Power connector x 1
Operation Temperature	32°F ~ 140°F (0°C ~ 60°C)
Storage Temperature	-40°F ~ 185°F (-40°C ~ 85°C)
Operation Humidity	0% ~ 90% RH, non-condensing
Certificate	CE & FCC Class A
Form Factor	Micro-ATX, 9.6" x 9.6" (244mm x 244mm)
Weight	1.76 lb (0.8 Kg)
MTBF (Hours)	245,250

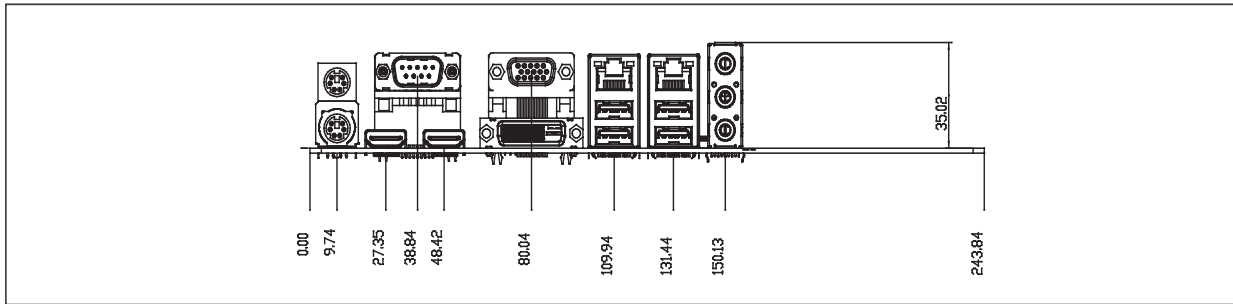
Packing List

- 14001-00630100
SATA 6G Cable (7P, 180; 90, 500mm 2 in1)
- 14001-00400100
COM Port Cable (9P, 260mm, p=2.54mm w/bracket)
- I/O Shield
- IMBM-H110A

Block Diagram



Dimension Unit: mm



Ordering Information

Part Number	CPU	RAM	Fan/Fanless	Display	Storage	LVDS	LAN	USB	RS-232	RS-232/422/485	Expansion Slot	Power	TPM	Temp.
IMBM-H110A-A11-210	LGA1151 socket	DDR4 2400	Fan	HDMI x 2, VGA x 1, DVI-D x 1	M.2 M key 2242 x 1 SATA3 x 5	—	GbE x 2	USB 3.2 Gen 1 x 4, USB2.0 x 6	5	1	PCIe[x16] x 1, PCIe[x1] x 2, PCI x 1	ATX	—	32°F~140°F (0°C~60°C)

Optional Accessories

Part Number	Description
1709100330	USB 2.0 cable (9P, 330MM, p=2.54mm, w/bracket)
170910020K	USB 2.0 cable (9P, 330MM, p=2.54mm, w/o bracket)
175921156B	CPU Cooler (2-Ball, Push-pin Type)
1759200172	CPU Cooler (2-Ball, Screw with Retention Plate)

Assured Systems

Assured Systems is a leading technology company with over 1,500 regular clients in 80 countries, deploying over 85,000 systems to a diverse customer base in 12 years of business. We offer high-quality and innovative rugged computing, display, networking and data collection solutions to the embedded, industrial, and digital-out-of-home market sectors.

US

sales@assured-systems.com

Sales: +1 347 719 4508
Support: +1 347 719 4508

1309 Coffeen Ave
Ste 1200
Sheridan
WY 82801
USA

EMEA

sales@assured-systems.com

Sales: +44 (0)1785 879 050
Support: +44 (0)1785 879 050

Unit A5 Douglas Park
Stone Business Park
Stone
ST15 0YJ
United Kingdom

VAT Number: 120 9546 28
Business Registration Number: 07699660