



10623 Roselle Street, San Diego, CA 92121 • (858) 550-9559 • FAX (858) 550-7322  
contactus@accessio.com • www.accessio.com

## MODELS

**PCIe-COM-4SMDB, PCIe-COM-4SMRJ,  
PCIe-COM-4SDB, PCIe-COM-4SRJ,  
PCIe-COM232-4DB, PCIe-COM232-4RJ,  
PCIe-COM-2SMDB, PCIe-COM-2SMRJ,  
PCIe-COM-2SDB, PCIe-COM-2SRJ,  
PCIe-COM232-2DB, PCIe-COM232-2RJ**

**PCI Express 4- and 2-Port RS-232/422/485  
Serial Communication Cards**

## USER MANUAL

FILE: MPCle-COM-4SMDB and RJ Family Manual.A1d

### Notice

The information in this document is provided for reference only. ACCES does not assume any liability arising out of the application or use of the information or products described herein. This document may contain or reference information and products protected by copyrights or patents and does not convey any license under the patent rights of ACCES, nor the rights of others.

IBM PC, PC/XT, and PC/AT are registered trademarks of the International Business Machines Corporation.

Printed in USA. Copyright 2010 by ACCES I/O Products Inc, 10623 Roselle Street, San Diego, CA 92121. All rights reserved.

### WARNING!!

**ALWAYS CONNECT AND DISCONNECT YOUR FIELD CABLING WITH THE COMPUTER POWER OFF. ALWAYS TURN COMPUTER POWER OFF BEFORE INSTALLING A CARD. CONNECTING AND DISCONNECTING CABLES, OR INSTALLING CARDS INTO A SYSTEM WITH THE COMPUTER OR FIELD POWER ON MAY CAUSE DAMAGE TO THE I/O CARD AND WILL VOID ALL WARRANTIES, IMPLIED OR EXPRESSED.**

## Warranty

Prior to shipment, ACCES equipment is thoroughly inspected and tested to applicable specifications. However, should equipment failure occur, ACCES assures its customers that prompt service and support will be available. All equipment originally manufactured by ACCES which is found to be defective will be repaired or replaced subject to the following considerations.

## Terms and Conditions

If a unit is suspected of failure, contact ACCES' Customer Service department. Be prepared to give the unit model number, serial number, and a description of the failure symptom(s). We may suggest some simple tests to confirm the failure. We will assign a Return Material Authorization (RMA) number which must appear on the outer label of the return package. All units/components should be properly packed for handling and returned with freight prepaid to the ACCES designated Service Center, and will be returned to the customer's/user's site freight prepaid and invoiced.

## Coverage

First Three Years: Returned unit/part will be repaired and/or replaced at ACCES option with no charge for labor or parts not excluded by warranty. Warranty commences with equipment shipment.

Following Years: Throughout your equipment's lifetime, ACCES stands ready to provide on-site or in-plant service at reasonable rates similar to those of other manufacturers in the industry.

## Equipment Not Manufactured by ACCES

Equipment provided but not manufactured by ACCES is warranted and will be repaired according to the terms and conditions of the respective equipment manufacturer's warranty.

## General

Under this Warranty, liability of ACCES is limited to replacing, repairing or issuing credit (at ACCES discretion) for any products which are proved to be defective during the warranty period. In no case is ACCES liable for consequential or special damage arriving from use or misuse of our product. The customer is responsible for all charges caused by modifications or additions to ACCES equipment not approved in writing by ACCES or, if in ACCES opinion the equipment has been subjected to abnormal use. "Abnormal use" for purposes of this warranty is defined as any use to which the equipment is exposed other than that use specified or intended as evidenced by purchase or sales representation. Other than the above, no other warranty, expressed or implied, shall apply to any and all such equipment furnished or sold by ACCES.

## TABLE OF CONTENTS

<b>Chapter 1: Introduction</b> .....	5
<b>Features</b> .....	5
<b>Applications</b> .....	5
<b>Functional Description</b> .....	6
<b>Figure 1-1: Block Diagram</b> .....	6
<b>Ordering Guide</b> .....	7
<b>Model Options</b> .....	7
<b>Optional Accessories</b> .....	7
<b>Special Order</b> .....	8
<b>Included with your board</b> .....	8
<b>Chapter 2: Installation</b> .....	9
<b>CD Software Installation</b> .....	9
<b>Hardware Installation</b> .....	10
<b>Figure 2-1: Port Configuration Utility Screenshot</b> .....	10
<b>Chapter 3: Hardware Details</b> .....	11
<b>Figure 3-1: Option Selection Map –DB Models</b> .....	11
<b>DB9M connector</b> .....	11
<b>Figure 3-2: Option Selection Map –RJ Models</b> .....	12
<b>RJ45 connector</b> .....	12
<b>Factory Option Descriptions</b> .....	13
<b>Fast RS-232 transceivers (-F)</b> .....	13
<b>Remote Wake-Up (-W)</b> .....	13
<b>Extended temperature (-T)</b> .....	13
<b>RoHS compliance (-RoHS)</b> .....	13
<b>Chapter 4: Address Selection</b> .....	14
<b>Chapter 5: Programming</b> .....	15
<b>Sample Programs</b> .....	15
<b>Windows COM Utility Program</b> .....	15
<b>Table 5-1: Baud Rate Generator Setting</b> .....	15
<b>Table 5-2: Sample Baud Rate Setting</b> .....	16
<b>Chapter 6: Connector Pin Assignments</b> .....	17
<b>Input/Output Connections</b> .....	17
<b>Table 6-1: DB9 Male Connector Pin Assignments</b> .....	17
<b>Figure 6-1: DB9 Male Connector Pin Locations</b> .....	17
<b>Table 6-2: RJ45 Connector Pin Assignments</b> .....	17
<b>Figure 6-2: RJ45 Connector Pin Locations</b> .....	17
<b>Table 6-3: COM signal names to corresponding signal descriptions</b> .....	18
<b>Chapter 7: Specifications</b> .....	19
<b>Communications Interface</b> .....	19
<b>Environmental</b> .....	19
<b>Customer Comments</b> .....	20

## Chapter 1: Introduction

The PCI Express Multiport Serial cards were designed for RS232, RS422 and RS485 asynchronous communications for use in a variety of applications. These boards were designed to offer compatibility with the PCI Express bus and to be used by system integrators and manufacturers in the design of industrial and commercial communication systems. The card is available in 4-port and 2-port versions and is compatible with all popular operating systems. Each COM port is capable of supporting data rates up to 3Mbps (460.8kbps in RS232 mode is standard) and implements full RS-232 modem control signals to ensure compatibility with a wide range of serial peripherals. Existing serial peripherals can connect directly to the industry standard DB9M connectors or via RJ45 connectors. The board features a x1 lane PCI Express connector which can be used in any length PCI Express slot.

### Features

- Four- and two-port PCI Express serial communication cards with on board DB9M or RJ45 connectivity
- Serial protocol (RS-232/422/485) SOFTWARE CONFIGURED per port, stored in EEPROM for auto-configure at next boot
- High performance 16C950 class UARTs with 128-byte FIFO for each transmit and receive buffer
- Supports data communication speeds up to 3Mbps (standard model RS-232 is 460.8kbps)
- ESD protection +/-15kV on all signal pins
- Supports 9-bit data mode
- Full modem control signals in RS-232 mode
- Software compatible with all operating systems
- Jumper selectable termination for RS-485 applications

### Applications

- POS (Point-of-sale) Systems
- Gaming Machines
- Telecommunications
- Industrial Automation
- ATM (Automated Teller Machine) Systems
- Multiple terminal control
- Office Automation
- Kiosks

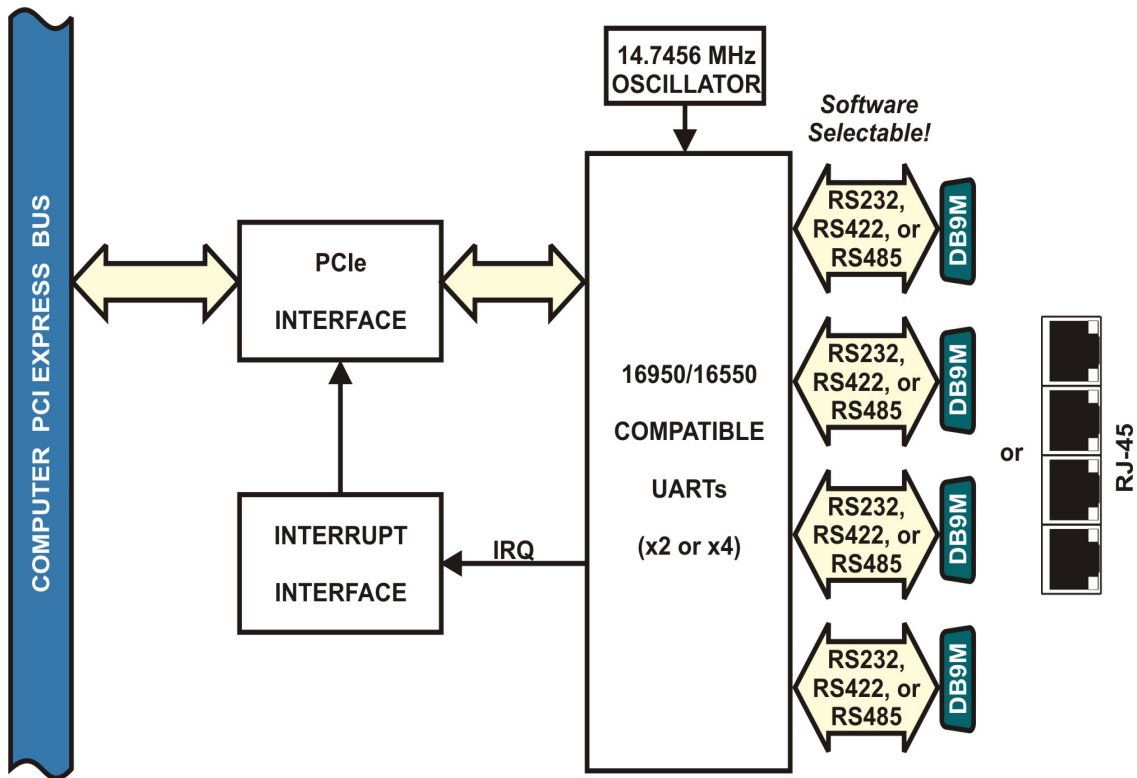
**Functional Description**

These cards feature high performance 16C950 class UARTs which support the complete register set of the standard 16C550-type devices. The UARTs support operations in 16C450, 16C550 and 16C950 modes. Each port is capable of data communication speeds up to 3Mbps (standard model up to 460.8kbps in RS-232 mode) in asynchronous mode and has 128-byte deep transmit and receive FIFOs to protect against lost data in multitasking operating systems, to help reduce CPU utilization and to improve data throughput.

Serial protocol (RS-232/422/485) is software configured per port via a Port Configuration Utility provided on the CD which ships with each card. When RS-485 is selected, jumper selectable termination is provided per port.

Four-port “DB” models (PCIe-COM-4SMDB, PCIe-COM-4SDB, PCIe-COM232-4DB) ship with a additional mounting bracket and cable. This plugs directly into the dual 10-pin IDC headers on board and mounts to the next adjacent bracket slot.

A crystal oscillator is located on the card. This oscillator permits precise selection of a multitude of different baud rates.



**Figure 1-1: Block Diagram**

### Ordering Guide

- PCIe-COM-4SMDB\* PCI Express four-port RS-232/422/485
- PCIe-COM-4SMRJ PCI Express four-port RS-232/422/485
- PCIe-COM-4SDB\* PCI Express four-port RS-422/485
- PCIe-COM-4SRJ PCI Express four-port RS-422/485
- PCIe-COM232-4DB\* PCI Express four-port RS-232
- PCIe-COM232-4RJ PCI Express four-port RS-232
- PCIe-COM-2SMDB PCI Express two-port RS-232/422/485
- PCIe-COM-2SMRJ PCI Express two-port RS-232/422/485
- PCIe-COM-2SDB PCI Express two-port RS-422/485
- PCIe-COM-2SRJ PCI Express two-port RS-422/485
- PCIe-COM232-2DB PCI Express two-port RS-232
- PCIe-COM232-2RJ PCI Express two-port RS-232


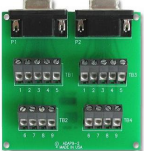
DB = DB9M connectivity  
RJ = RJ45 connectivity

\* Four-port DB models require the use of a provided additional mounting bracket.

### Model Options

- -T Extended temp. operation (-40° to +85°C)
- -F Fast version (RS-232 up to 921.6kbps)
- -RoHS RoHS compliant version
- -W Remote wake-up enable (see Chapter 3: Hardware Details)

### Optional Accessories

ADAP9	Screw terminal adaptor DB9F to 9 screw terminals	
ADAP9-2	Screw terminal adaptor with two DB9F connectors and 18 screw terminals	

## Special Order

Virtually any custom baud rate can be achieved with the standard card (see Table 5-2: Higher Baud Rate Register Settings) and still be within the standard tolerance range for serial communications. If that method doesn't produce an exact enough baud rate a custom crystal oscillator may be specified, contact factory with your precise requirement. Examples of special orders would be conformal coating, custom software, etc., we will work with you to provide exactly what is required.

## Included with your board

The following components are included with your shipment, depending on options ordered. Please take the time now to ensure that no items are damaged or missing.

- **Four- or two-port** card
- 2 x Header to 2 x DB9M cable/bracket for Four-port "DB" model cards
- Software Master CD
- Quick-Start Guide



## Chapter 2: Installation

A printed Quick-Start Guide (QSG) is packed with the card for your convenience. If you've already performed the steps from the QSG, you may find this chapter to be redundant and may skip forward to begin developing your application.

The software is provided with this card on the CD and must be installed onto your hard disk prior to use. Perform the following steps as appropriate for your operating system.

A complete driver support package is provided including an easy-to-use Windows terminal program for testing out your COM ports. This simplifies the verification of proper COM port operating. The card installs as standard COM ports in all operating systems.

A software reference manual is installed as part of the software and support package for this product. Please refer to this document for extensive information and guidance on software tools and programming support at your disposal.

### CD Software Installation

The following instructions assume the CD-ROM drive is drive "D". Please substitute the appropriate drive letter for your system as necessary.

#### DOS

1. Place the CD into your CD-ROM drive.
2. Type `D:\Enter` to change the active drive to the CD-ROM drive.
3. Type `INSTALL\Enter` to run the install program.
4. Follow the on-screen prompts to install the software for this board.

#### Windows

1. Place the CD into your CD-ROM drive.
2. The system should automatically run the install program. If the install program does not run promptly, click START | RUN and type `D:\INSTALL`, click OK or press `Enter`.
3. Follow the on-screen prompts to install the software for this board.

#### Linux

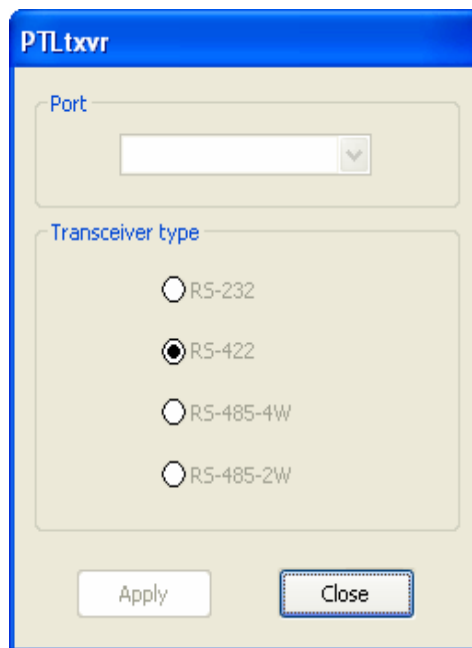
1. Please refer to linux.htm on the CD-ROM for information on installing under linux.

Note: COM boards can be installed in virtually any operating system. We do support installation in earlier versions of Windows, and are also likely to support future versions.

## Hardware Installation

**Caution! \* ESD** *A single static discharge can damage your card and cause premature failure! Please follow all reasonable precautions to prevent a static discharge such as grounding yourself by touching any grounded surface **prior to touching the card.***

1. Do not install the card into the computer until the software has been fully installed.
2. Turn OFF computer power AND unplug AC power from the system.
3. Remove the computer cover.
4. Carefully install the card in an available PCIe expansion slot (you may need to remove a backplate first).
5. Inspect for proper fit of the card and install and tighten the mounting bracket screw. Make sure that the card mounting bracket is properly screwed into place and that there is a positive chassis ground.
6. Four-port “DB” model cards use a header to DB9M cable accessory that installs in an adjacent mounting bracket / slot location. Install this and tighten screw.

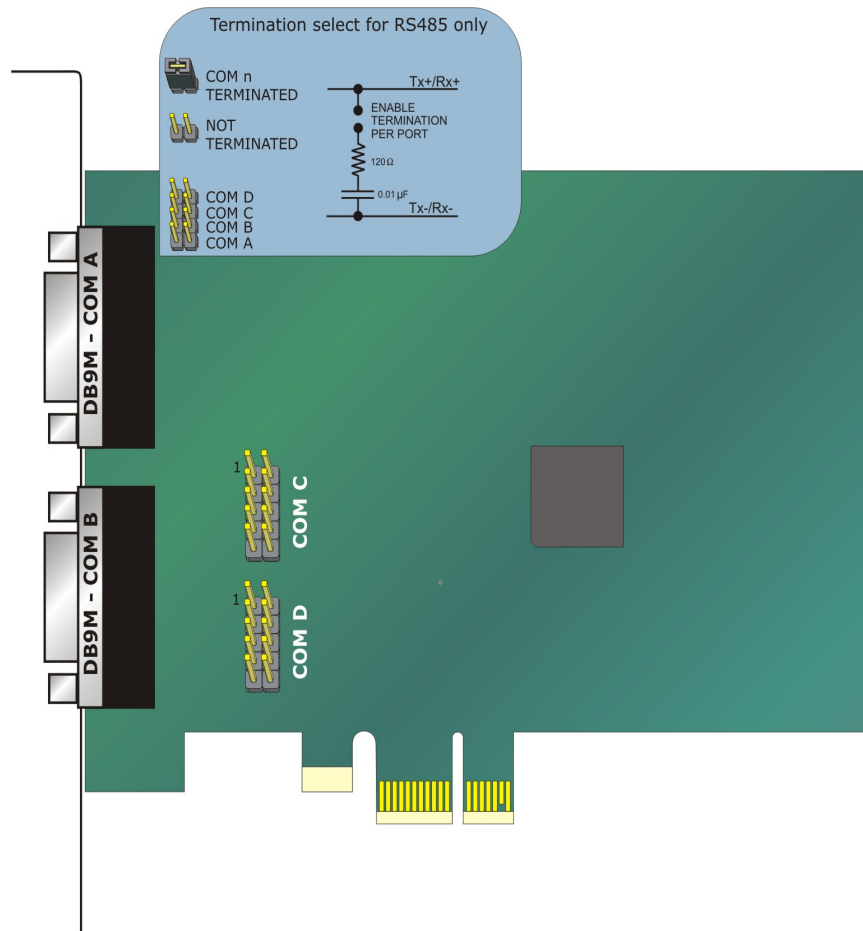


**Figure 2-1: Port Configuration Utility Screenshot**

7. Replace the computer cover and turn ON the computer.
8. Most computers should auto-detect the card (depending on the operating system) and automatically finish installing the drivers.
9. Run the Port Configuration Utility program (setup.exe) to configure the protocol (RS-232/422/485) for each COM port.
10. Run one of the provided sample programs that was copied to the newly created card directory (from the CD) to test and validate your installation.

### Chapter 3: Hardware Details

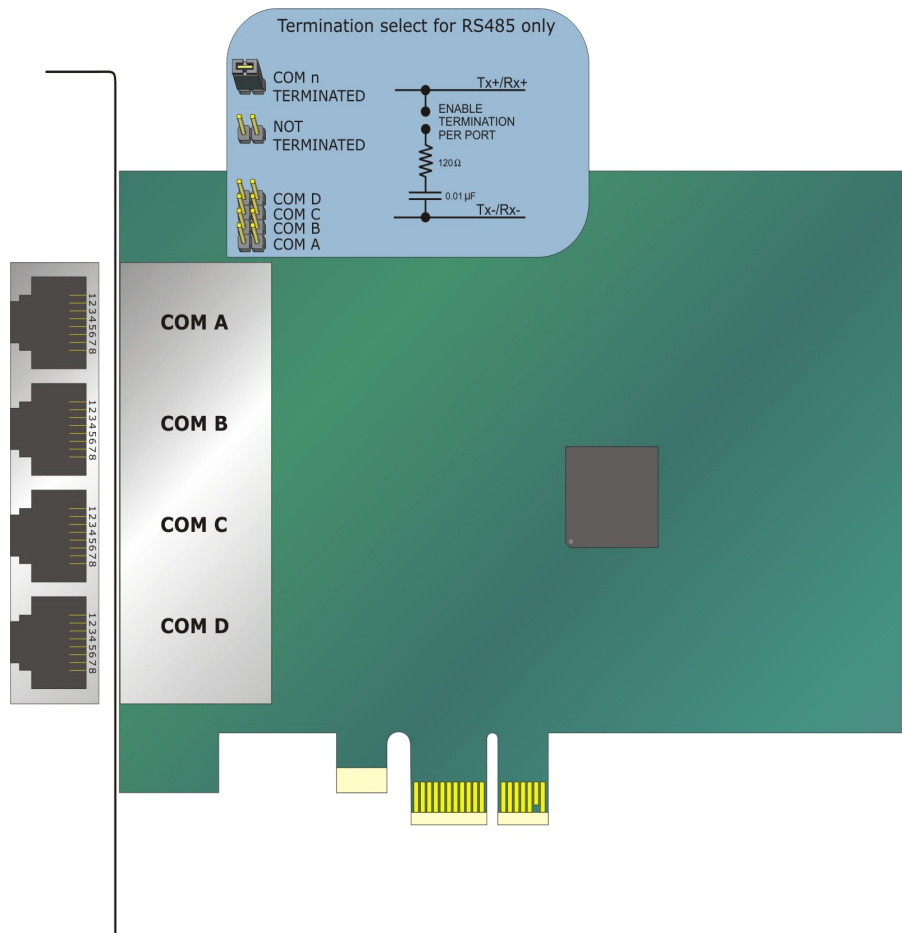
There only user-selectable options for this card are for applying a termination load to the RS-485 lines. Channel protocols are selected via software.



**Figure 3-1: Option Selection Map –DB Models**

#### DB9M connector

“DB” models use an industry standard 9-pin Male D-Subminiature connector with screw locks



**Figure 3-2: Option Selection Map –RJ Models**

**RJ45 connector**

“RJ” models use an industry standard 8P8C modular jack.

## Factory Option Descriptions

### Fast RS-232 transceivers (-F)

The standard RS-232 transceivers used are capable of speeds up to 460.8kbps which is adequate in many applications. For this factory option, the board is populated with high-speed RS-232 transceivers enabling error-free communications at up to 921.6kbps.

### Remote Wake-Up (-W)

The “Remote Wake-Up” factory option is for use in RS232 mode when your PC enters the L2 low-power state. When the Ring Indicator is received on serial port COM A in the L2 power state, Wake-Up is asserted.

### Extended temperature (-T)

This factory option is for use in harsh environments and is populated with all-industrial rated components, specified at a minimum temperature range of -40°C to +85°C.

### RoHS compliance (-RoHS)

For international customers and other special requirements, this factory option is available in RoHS compliant versions.

## Chapter 4: Address Selection

The card uses one I/O address space PCI BAR[0]. COM A, COM B, COM C, COM D, COM E, COM F, COM G and COM H each occupy eight consecutive register locations.

The Vendor ID for all cards is 494F.

The Device ID for the PCIe-COM-4SMDB card is 10DAh.

The Device ID for the PCIe-COM-4SMRJ card is 10DAh.

The Device ID for the PCIe-COM-4SDB card is 105Ch.

The Device ID for the PCIe-COM-4SRJ card is 105Ch.

The Device ID for the PCIe-COM232-4DB card is 1099h.

The Device ID for the PCIe-COM232-4RJ card is 1099h.

The Device ID for the PCIe-COM-2SMDB card is 10D1h.

The Device ID for the PCIe-COM-2SMRJ card is 10D1h.

The Device ID for the PCIe-COM-2SDB card is 1050h.

The Device ID for the PCIe-COM-2SRJ card is 1050h.

The Device ID for the PCIe-COM232-2DB card is 1091h.

The Device ID for the PCIe-COM232-2RJ card is 1091h.

## Chapter 5: Programming

### Sample Programs

There are sample programs with source-code provided with the card in a variety of common languages. DOS samples are located in the DOS directory and Windows samples are located in the WIN32 directory.

### Windows COM Utility Program

WinRisc is a COM utility program provided on CD with the installation package for this card that is very useful when working with any serial ports and serial devices. If you haven't used this program yet, do yourself a favor and run this program to test your COM ports.

### Windows Programming

The card installs into Windows as COM ports so standard API functions can be used.

See the documentation for your chosen language for details.

In DOS the process is identical to programming 16550- compatible UARTs.

### Baud Rate Generation

The built-in Baud Rate Generator (BRG) allows a wide range of input frequency and flexible Baud Rate generation. To obtain the desired Baud Rate, the user can set the Sample Clock Register (SCR), Divisor Latch Low Register (DLL), Divisor Latch High Register (DLH) and Clock Prescale Registers (CPRM and CPRN). The Baud Rate is generated according to the following equation:

$$BaudRate = \frac{InputFrequency}{Divisor * Prescaler}$$

The parameters in the equation above can be programmed by setting the "SCR", "DLL", "DLH", "CPRM" and "CPRN" registers according to the table below.

Setting	Description
Divisor	DLL + (256 * DLH)
Prescaler	$2^{M-1} * (SampleClock + N)$
SampleClock	16 - SCR, (SCR = '0h' to 'Ch')
M	CPRM, (CPRM = '01h' to '02h')
N	CPRN, (CPRN = '0h' to '7h')

**Table 5-1: Baud Rate Generator Setting**

To ensure the proper operation of the Baud Rate Generator, users should avoid setting the value '0' to Sample Clock, Divisor and Prescaler.

The following table lists some of the commonly used Baud Rates and the register settings that generate a specific Baud Rate. The examples assume an Input Clock frequency of 14.7456 Mhz. The SCR register is set to '0h', and the CPRM and CPRN registers are set to '1h' and '0h' respectively. In these examples, the Baud Rates can be generated by different combination of the DLH and DLL register values.

Baud Rate	DLH	DLL
1,200	3h	00h
2,400	1h	80h
4,800	0h	C0h
9,600	0h	60h
19,200	0h	30h
28,800	0h	20h
38,400	0h	18h
57,600	0h	10h
115,200	0h	08h
921,600	0h	01h

**Table 5-2: Sample Baud Rate Setting**



## Chapter 6: Connector Pin Assignments

### Input/Output Connections

The serial communications ports are interfaced at the card mounting bracket either via 4x DB9M connectors or 4x RJ45 connectors.

PIN	RS-232	RS-422 and 4-Wire RS-485	2-Wire RS-485
1	DCD	TX-	-
2	RX	TX+	-
3	TX	RX+	TX+/RX+
4	DTR	RX-	TX-/RX-
5	GND	GND	GND
6	DSR	-	-
7	RTS	-	-
8	CTS	-	-
9	RI	-	-

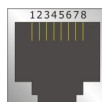
**Table 6-1: DB9 Male Connector Pin Assignments**



**Figure 6-1: DB9 Male Connector Pin Locations**

PIN	RS-232	RS-422 and 4-Wire RS-485	2-Wire RS-485
1	DSR	-	-
2	DCD	TX-	-
3	DTR	RX-	TX-/RX-
4	GND	GND	GND
5	RX	TX+	-
6	TX	RX+	TX+/RX+
7	CTS	-	-
8	RTS	-	-

**Table 6-2: RJ45 Connector Pin Assignments**



**Figure 6-2: RJ45 Connector Pin Locations**

RS-232 Signals	RS-232 Signal Descriptions	RS-422 Signals (4-w 485)	RS-422 Signal Descriptions	RS-485 Signals (2-wire)	RS-485 Signal Descriptions
DCD	Data Carrier Detected	TX+	Transmit Data +	TX/RX +	Transmit / Receive +
RX	Receive Data	TX-	Transmit Data -	TX/RX -	Transmit / Receive -
TX	Transmit Data	RX+	Receive Data +	GND	Signal Ground
DTR	Data Terminal Ready	RX-	Receive Data -		
GND	Signal Ground	GND	Signal Ground		
DSR	Data Set Ready				
RTS	Request To Send				
CTS	Clear to Send				
RI	Ring Indicator				

**Table 6-3: COM signal names to corresponding signal descriptions**

To ensure that there is minimum susceptibility to EMI and minimum radiation, it is important that the card mounting bracket be properly screwed into place and that there be a positive chassis ground. Also, proper EMI cabling techniques (cable connect to chassis ground at the aperture, shielded twisted-pair wiring, etc.) should be used for the input/output wiring.

## Chapter 7: Specifications

### Communications Interface

- I/O connection: DB9M or RJ45
- Serial ports: 4 (or 2) RS-232/422/485
- Serial data rates: RS-232 460.8k (921.6k avail)  
RS-422/485 3Mbps
- UART: Quad type 16C950 with 128-byte transmit & receive FIFO,  
16C550 compliant
- Character length: 5, 6, 7, 8, or 9 bits
- Parity: Even, Odd, None, Space, Mark
- Stop interval: 1, 1.5, or 2 bits
- Flow Control: RTS/CTS and/or DSR/DTR, Xon/Xoff
- ESD Protection: ±15kV on all signal pins

### Environmental

- Operating temp.: Commercial: 0°C to +70°C  
Industrial: -40°C to +85°C
- Storage temp.: -65°C to +150°C
- Humidity: 5% to 95%, non-condensing
- Power required: +3.3VDC @ 0.8W (typical)
- Size: 4.722" long x 3.375" high  
(120 mm long x 85.725 mm high)

## Customer Comments

If you experience any problems with this manual or just want to give us some feedback, please email us at: [manuals@acesio.com](mailto:manuals@acesio.com). Please detail any errors you find and include your mailing address so that we can send you any manual updates.



10623 Roselle Street, San Diego CA 92121  
Tel. (858)550-9559 FAX (858)550-7322  
[www.acesio.com](http://www.acesio.com)

## Assured Systems

Assured Systems is a leading technology company with over 1,500 regular clients in 80 countries, deploying over 85,000 systems to a diverse customer base in 12 years of business. We offer high-quality and innovative rugged computing, display, networking and data collection solutions to the embedded, industrial, and digital-out-of-home market sectors.

### US

[sales@assured-systems.com](mailto:sales@assured-systems.com)

Sales: +1 347 719 4508  
Support: +1 347 719 4508

1309 Coffeen Ave  
Ste 1200  
Sheridan  
WY 82801  
USA

### EMEA

[sales@assured-systems.com](mailto:sales@assured-systems.com)

Sales: +44 (0)1785 879 050  
Support: +44 (0)1785 879 050

Unit A5 Douglas Park  
Stone Business Park  
Stone  
ST15 0YJ  
United Kingdom

VAT Number: 120 9546 28  
Business Registration Number: 07699660