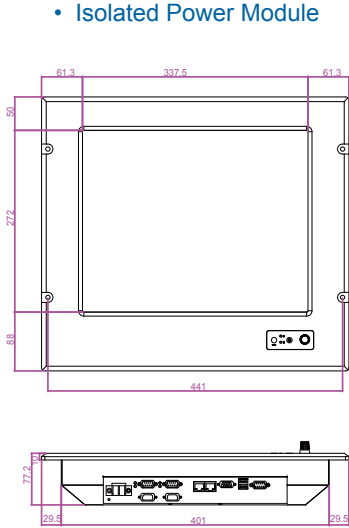


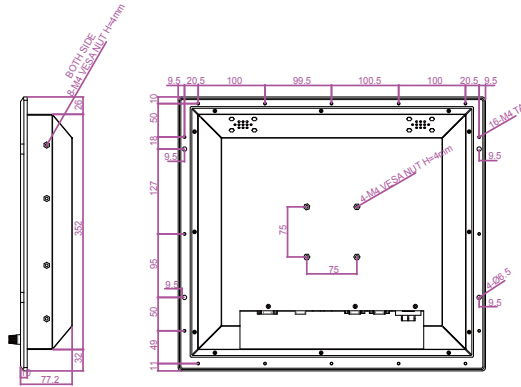


**Feature**

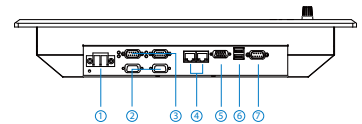
- 17" SXGA 1280 x 1024 TFT LCD
- Intel® Atom Dual Core N2600 1.6GHz Processor
- 1 x SO-DIMM, max. 4GB DDR3 800/1066
- 2 x Isolated RS422/485 (optional)
- Integrated Dual Broadcom BCM57780 GbE Controller
- Isolated Power Module



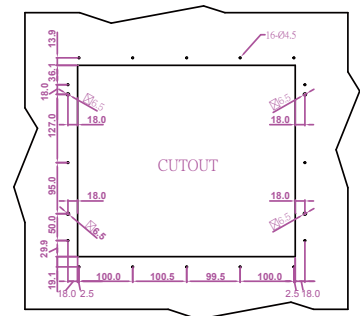
**FRONT VIEW**



**SIDE VIEW**



- 1. 1 x 9-36V DC input
- 2. 2 x RS232
- 3. 2 x Isolation-RS422/485 (optional)
- 4. 2 x RJ45
- 5. 1 x VGA out put
- 6. 2 x USB
- 7. 1 x RS232/422/485



**CUT OUT DIMENSION**

\* Note: this is a simplified drawing and some components are not marked in detail. \*Please contact our sales representative if you need further product information.

**TFT Characteristics :**

Pixel Number	: 1280 x 1024
Pixel Pitch(R&B)	: 0.264 (H) x 0.264 (V) mm
Contrast Ratio	: 1000:1(typ.)
Panel Brightness	: 350cd/m2 (typ.)
Viewable Angle	: -85 ~ 85(H) ; -80 ~ 80(V)
Active Display Area	: 337 (H) x 270 (V) mm
Max Colors	: 16.7 (M) / 6 bit / colors

**Mechanical and Environmental**

Mechanical Mounting	: Panel (Flush) mount with IP66*, VESA, Bracket mounting
Operating Temperature	: -15 to 55 deg.C
Operating Humidity	: 5% to 95%(non condensing)
Anti-Vibration	: 5Hz~500Hz / 1Grms / 3 Axis
Anti-Shock	: 15G,11ms duration

**SBC Specifications :**

Processor	: Intel® Atom Dual Core N2600 1.6GHz
BIOS	: AMI 4Mbit Flash
System Chipset	: Intel® NM10 express chipset
Memory Slot	: 1 x DDR3 800/1066MHz SODIMM,(Max 4GB)
Graphic Chipset	: Intel® Graphic Accelerator 3650
Storage	: 1 x SATA2, 1 x Mini PCIe slot (mSATA SSD)
Ethernet	: 2x RJ-45(1000 Gigabit Ethernet Compatible)
VGA	: 1x VGA Connector
Audio	: Realtek ALC886 HD Audio Codec
USB Ports	: 6 x USB 2.0 (4 x USB by pin-header)
Serial Ports	: 4 x RS232, 1 x RS232/422/485
DVI	: 1 x DVI by 2x10 DB-13 wafer connector

**Input / Output Connectors**

Ethernet LAN	: 2 x RJ45-10/100/1000 Mbps
COM	: 2 x RS232, 1 x RS232/422/485
Isolated RS422/485	: 2 x Isolated RS422/485 COM (optional)
USB	: 2 x USB Type-A receptable
VGA output	: 1 x VGA 15P D-SUB (female)
DC Power	: 1 x DC Terminal block

**Available Options**

Touch Screen Options	: 5 Wire Resistive
AR Safety Glass Options	: 3mm Anti-reflective protection glass
Bracket Stand options	: Yes(One robust bracket can adjust from -10 to 30 deg.)
Secondary SSD	: up to 256 GB mSATA SSD

**Power Specifications :**

Power Supply Options	: 9 to 36 V DC power supply with Terminal block (Default)
Power Consumption	: 110 W typical, normal operation
External Adapter	: 110~230V Ac-in Power Adapter

**Certification and Approvals**

• CE, FCC, DNV2.4
-------------------



Note: All Specifications are subject to change without prior notice!

Revised Date : 18-Nov-2019 V1.2

## Assured Systems

Assured Systems is a leading technology company with over 1,500 regular clients in 80 countries, deploying over 85,000 systems to a diverse customer base in 12 years of business. We offer high-quality and innovative rugged computing, display, networking and data collection solutions to the embedded, industrial, and digital-out-of-home market sectors.

### US

[sales@assured-systems.com](mailto:sales@assured-systems.com)

Sales: +1 347 719 4508  
Support: +1 347 719 4508

1309 Coffeen Ave  
Ste 1200  
Sheridan  
WY 82801  
USA

### EMEA

[sales@assured-systems.com](mailto:sales@assured-systems.com)

Sales: +44 (0)1785 879 050  
Support: +44 (0)1785 879 050

Unit A5 Douglas Park  
Stone Business Park  
Stone  
ST15 0YJ  
United Kingdom

VAT Number: 120 9546 28  
Business Registration Number: 07699660